



Republic of the Philippines  
Department of Agriculture  
**Philippine Center for Postharvest Development and Mechanization**  
Science City of Muñoz, Nueva Ecija, Philippines  
Telephone Nos. 09328696837 (Sun); 09178130852 (Globe) loc. 272/276;  
Email add.: [philmech.svp2@gmail.com](mailto:philmech.svp2@gmail.com)

## REQUEST FOR QUOTATION

RFQ No. : 23-05-401

PR No. : 23-05-E-264

Please quote your lowest price on the item/s listed below, subject to the General Conditions on the last page, stating the shortest time of delivery and submit your quotation duly signed by your representative not later than May 15, 2023.

The Philippine Center for Postharvest Development and Mechanization (PHilMech) reserves the right to reject any or all bids/quotations, to refuse to make an award for any item/s due to budget limitation, procurement regulations, or other similar valid causes and to waive any formality not affecting the substance of the bid as the interest of the government may require. It further assumes no responsibility whatsoever to compensate or indemnify suppliers for any expense/s incurred in the preparation of their quotation/s.

\_\_\_\_\_  
Buyer/Canvasser

 **MAY 11 2023**  
**RAYMUND JOSEPH P. MACARANAS**  
Authorized Official

ITEM NO.	QTY.	UNIT	ITEM AND DESCRIPTION		UNIT PRICE	TOTAL PRICE
			Per Request	Offer/Brand/Model		
1	1	unit	<b>Supply of Labor and Materials for the Installation of Aluminum Composite Panel for LED Billboard at PHilMech Main Gate</b> <b>Specifications:</b> Inclusion of aluminum framing, screws and sealant Dimension of existing LED Billboard: 3m x 5m Dimension of existing frame: (see attached plan) Dimension of ACP: (see attached plan) ACP Brand: Worldbond/ Earthbond (See attached layout, plans drawing, BOQ, ABC, POW and SOW)			

Delivery Period : \_\_\_\_\_  
Price validity : \_\_\_\_\_  
Warranty : \_\_\_\_\_  
Terms of Payment : \_\_\_\_\_



Republic of the Philippines  
Department of Agriculture  
**Philippine Center for Postharvest Development and Mechanization**  
Science City of Muñoz, Nueva Ecija, Philippines  
Telephone Nos. 09328696837 (Sun); 09178130852 (Globe) loc. 272/276;  
Email add.: [philmec.svp2@gmail.com](mailto:philmec.svp2@gmail.com)

## REQUEST FOR QUOTATION

### General Conditions

1. The Approved Budget for the Contract (ABC) is 94,888.45.
2. Specifications herein provided are the minimum requirements of the PHilMech. Hence a supplier must not offer lower specifications than required.
3. Supplemental information shall be indicated/attached in the price quotation to reflect the complete specifications e.g., brand name, model, pictures/brochures of the offer.
4. Quotation must be inclusive of all costs and applicable government taxes, including delivery charges.
5. Award of the contract shall be made to the lowest complying/responsive bid/offer.
6. Price validity shall be forty five (45) calendar days from the deadline of submission of quotation.
7. For those with ABCs above Fifty Thousand Pesos (PhP50,000.00), suppliers shall submit copies of the following documents in support of their quotation, to wit:

- |                                     |      |  |
|-------------------------------------|------|--|
| <input checked="" type="checkbox"/> | 7.1  | Current Mayor's/Business Permit                              |
| <input type="checkbox"/>            | 7.2  | DTI/SEC Certificate of Registration                          |
| <input checked="" type="checkbox"/> | 7.3  | BIR Certificate of Registration                              |
| <input type="checkbox"/>            | 7.4  | PhilGEPS Registration Certificate (Platinum) all pages       |
| <input type="checkbox"/>            | 7.5  | Omnibus Sworn Statement                                      |
| <input type="checkbox"/>            | 7.6  | Income/Business Tax Return                                   |
| <input type="checkbox"/>            | 7.7  | Professional License/Curriculum Vitae (Consulting Services)  |
| <input checked="" type="checkbox"/> | 7.8  | PCAB License (Infra.)  |
| <input type="checkbox"/>            | 7.9  | Net Financial Contracting Capacity (NFCC)                    |
| <input type="checkbox"/>            | 7.10 | Documents required as stated in the Technical Specifications |
| <input type="checkbox"/>            | 7.11 | Others   |

8. Supplier shall be responsible for the source/s of its goods/services/equipment, and which shall be in accordance with the schedule and specifications of the RFQ or PO. Failure of the supplier to comply with this provision shall be ground for cancellation of the award or purchase order issued to the supplier.
9. Payment shall be made only upon completion and acceptance by the PHilMech.
10. Supplier warrants that all goods/services/equipment to be provided are of acceptable industry standard.
11. Delivery period shall be indicated in the quotation. A penalty of 1/10 of one percent for every day of delay shall be charged as liquidated damages on the undelivered items/services.
12. Payment shall be made upon inspection and acceptance of delivery subject to prior submission of sales invoice/delivery receipt and other requirements as maybe necessary
13. In conformity with the Direct Payment Scheme via bank debit system, please credit/deposit payment to:

Name of Bank: \_\_\_\_\_  
Bank Branch: \_\_\_\_\_  
Account Name: \_\_\_\_\_  
Account No.: \_\_\_\_\_

After having carefully read and accepted the General Conditions attached to the Request for Quotation, I/We quote you on the item/s at prices indicated above.

\_\_\_\_\_  
Printed name and signature of Authorized Representative  
Designation: \_\_\_\_\_  
Company Name: \_\_\_\_\_  
Business Address: \_\_\_\_\_  
PhilGEPS Registration No.: \_\_\_\_\_  
TIN: \_\_\_\_\_  
Contact No/s.: \_\_\_\_\_  
Email Address: \_\_\_\_\_



Republic of the Philippines  
 Department of Agriculture  
 Philippine Center for Postharvest Development and Mechanization  
 Science City of Muñoz, Nueva Ecija, Philippines

**BILL OF QUANTITIES**

<b>PROJECT TITLE:</b>	Supply of Labor and Materials for the Installation of Aluminum Composite Panel ACP Cladding for LED Billboard at PHilMech Main Gate
<b>PROJECT ID NO.:</b>	AD-INFRA-2023-002
<b>PROJECT LOCATION:</b>	PHilMech, CLSU Compound, Science City of Muñoz, Nueva Ecija

Item No.	Description	QTY	UNIT	UNIT COST	AMOUNT
<b>I</b>	<b>ACP CLADDING</b>				
A.	Supply of Labor and Materials for the Installation of Aluminum Composite Panel ACP Cladding with inclusion of aluminum framing, silicon sealant, screws and accessories (Refer to details for size)	1.00	lot		
	<i>Sub-Total:</i>				
<b>II</b>	<b>WELDING WORKS</b>				
A.	Welding of Steel Matting/ Wire Mesh, 5mm dia., with 2" x 2" wire size, 4'X8'	2.71	sqm		
B.	Fabrication and welding of tubular bar frame (iron black), 1.5" x 1.5", 1.5mm thk (Refer to details for size)	8.00	units		
C.	Standard Manhole Ladder (Refer to details for size)	2.00	lot		
	<i>Sub-Total:</i>				
<b>III</b>	<b>ELECTRICAL WORKS</b>				
A.	Installation of 30 amps weatherproof outlet	1.00	lot		
B.	Installation of safety breaker and accessories	1.00	lot		
	<i>Sub-Total:</i>				
	<b>Total Direct Cost</b>				
A.	<b>Direct Cost</b>				
B.	<b>Indirect Cost (10% of A)</b>				
C.	<b>VAT (5% A+B)</b>				
D.	<b>Total Project Cost (A+B+C)</b>				
	<b>In words</b>				

Prepared by:

Reviewed by:

Recommending Approval:

Approved:

JERRY F. AVELLANOZA ✓  
 Acting Chief, Administrative Division

OFERO A. CAPARIÑO, Ph.D.  
 OIC Assistant Director, INFRACOM Chair

DIONISIO G. ALVINDIA, Ph.D.  
 Director IV



## SCOPE OF WORK

**PROJECT TITLE:** Supply of Labor and Materials for the Installation of Aluminum Composite Panel ACP Cladding for LED Billboard at PHilMech Main Gate  
**PROJECT ID NO.:** AD-INFRA-2023-002  
**PROJECT LOCATION:** PHilMech, CLSU Compound, Science City of Muñoz, Nueva Ecija

### ACP INSTALLATION WORKS

#### I. GENERAL

- a. The Contractor shall provide materials, tools, labor and other necessary services and equipment required in order to complete the said project.
- b. It is the intention of these specifications to supply all works for the installation of aluminum composite panel ACP cladding with inclusion of aluminum framing, silicon sealant, screws and accessories for LED billboard at PHilMech main gate.
- c. The ACP brand shall be either Worldbond or Earthbond.
- d. All accessories shall be included but not limited to aluminum framing, silicon sealant, and screws to further strengthen and reinforce the existing LED billboard with 30 panels.
- e. Contractors shall install a 4.0mm thick x 4' x 8' Aluminum Composite Panel cladding at the existing LED billboard structure located at PHilMech Main Gate as per plan.
- f. Final color of the ACP shall be approved by the management.
- g. The contractor shall provide a 10mm gap in between panel joint during installation.
- h. Refer to the drawing and specifications as per plan.

#### II. WELDING WORKS

- a. The contractor shall install and weld the steel matting/ wire mesh, 5mm dia., with 2" x 2" wire size with angle bar frame. This will serve as a platform during the mounting of LED billboard.
- b. The contractor shall also fabricate and weld 8 units of tubular bar frame in the size of 1.5" x 1.5" and 1.5mm thick. The materials must be iron black. This will serve as connection to support the LED billboard.
- c. It is also indicated in this specification for the provision of 2 units of standard manhole/ shaft ladder made of aluminum steel and is resistant to heat. This will serve as an entry point for climbing up and down to the existing structure.
- d. Refer to the drawing and specifications as per plan.

### **III. ELECTRICAL WORKS**

- a. The contractor shall facilitate the installation of 30 amperes weatherproof outlet to withstand the rigors of exposure to the elements and safety breaker including its accessories.

### **IV. INSPECTION**

During implementation of the project and any time prior to the approval of the Final Report, the Contract shall permit the management to inspect, at any reasonable time, the property, all work done, labor performed and materials furnished in connection with the activities with the scope of work.

### **V. WORK AREA PROTECTION**

Before painting in any section of the building, use drop sheets and masking tape wherever necessary to protect finished work or other surfaces liable to damage during painting.

### **VI. MANPOWER REQUIREMENTS**

- a. The contractor shall assign trained personnel and supervisors who are competent to execute all works in a workmanlike manner and shall do all the necessary works related to the project.
- b. The contractor shall not withdraw from the site until PHILMECH representative has agreed that no further work is necessary at the time.

### **VII. STANDARD OF WORKMANSHIP, MATERIALS AND PERFORMANCE**

- a. The contractor shall execute all works in a neat and workmanlike manner and shall do all necessary works whether it is clearly specified in these specifications.
- b. All materials shall be new and shall conform to the Technical Specifications. All materials shall be the standard product of reputable manufacturer and shall bear the name of the manufacturer.
- c. All materials shall be subject to inspection and approval of PHILMECH management. All materials and equipment installed without prior approval of the management shall be at the risk of rejection.

### **VIII. TERMS OF PAYMENT**

- a. Payment of 100% of the Contract amount will be made after issuance by PHilMech of Certificate of Completion and Acceptance and submission of all required documents. Payment is subject to applicable taxes.
- b. When the contractor fails to satisfactorily deliver goods within the specified delivery schedule, inclusive of duly granted time extensions, if any, the contractor shall be liable for damages for the delay and shall pay the procuring entity liquidated damages, an amount equal to one-tenth (1/10) of one percent (1%) of the cost of the delayed goods scheduled for delivery, for every day of delay until such goods are finally delivered and accepted by the procuring entity concerned.

**IX. RESPONSIBILITIES DURING PROJECT IMPLEMENTATION**

- a. PHilMech authorized personnel shall observe all the works during the project implementation.
- b. In the implementation of work, PHilMech or its representative shall not be responsible for any accident of the contractor's employee or laborers. Likewise, the management shall not be responsible for any loss or damage of materials, tools, equipment delivered on the job site. Damages on the PHilMech properties and equipment caused by the contractor shall be replace/repared at its own expense to the satisfaction of the PHilMech management. In the event of failure of repair and/or replacement of the same, the management shall deduct the cost of such repairs from the payment due to the contractor.

**X. WARRANTY AND AFTER-SALES SERVICE REQUIREMENTS**

All works shall be guaranteed against defects or workmanship for a period of one (1) year upon the issuance of Certificate of Completion and Acceptance of the completed goods by the PHilMech.

**XI. SAFETY**

Contractor is responsible and shall continue management and implementation of a safety and health program throughout construction.

Contractor shall provide all Personal Protective Equipment for the workers as per the requirement of the site. Work will be stopped in case the proper protection equipment is not found with the workers and the lapse of time shall be at the Contractor's expense. Contractor will not leave the work site in an unsafe condition or any other condition that might cause injury to personnel, damage to existing work, plants or equipment.

Any equipment or work considered dangerous shall be immediately discontinued.

**XII. SITE CONDITION**

The contractor shall leave the premises clean, neat and orderly. All stains, spots, blemishes, soil dirt shall be removed from all finished work. All excess materials, soils, used containers, tools equipment and supplies shall be move out of the PHilMech premises during the progress of work and upon completion of the said project.

**XIII. DURATION**

The Contractor shall substantially complete the project on a timely schedule and in an expeditious manner for a period of **15 calendar days** from the effective date.

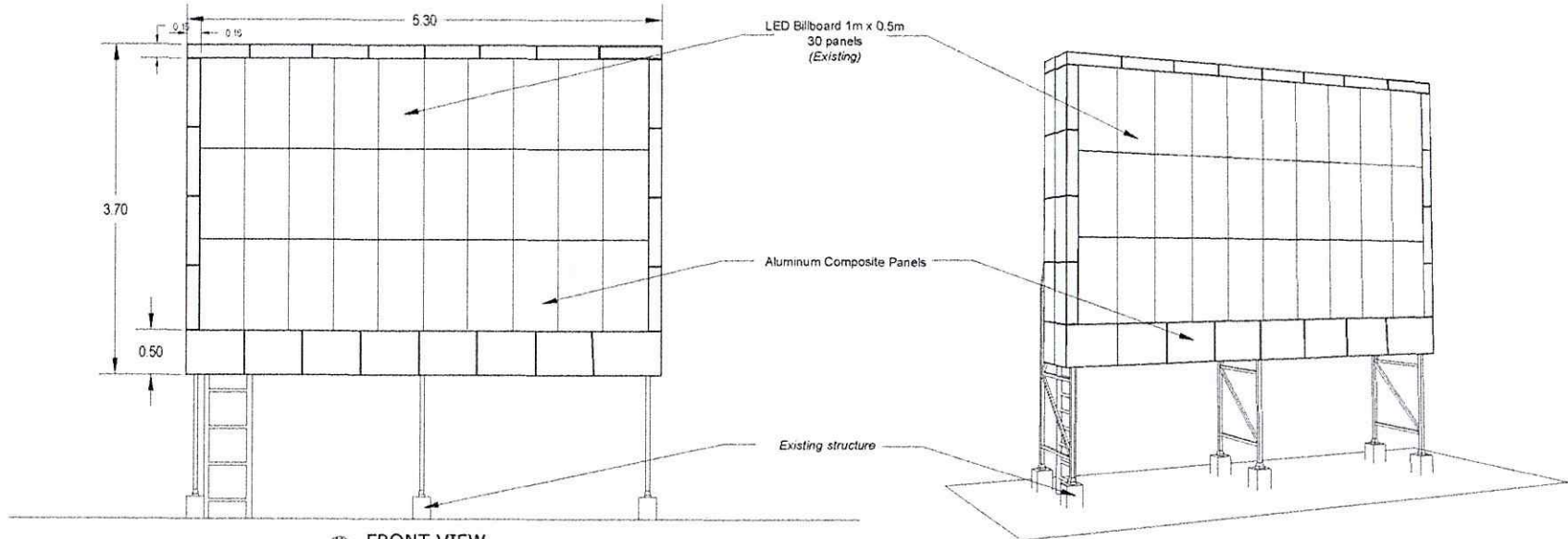
Prepared by:

**JENO JULIUS C. GARCIA**  
Admin Officer III, AD-BMTSS

Reviewed by:

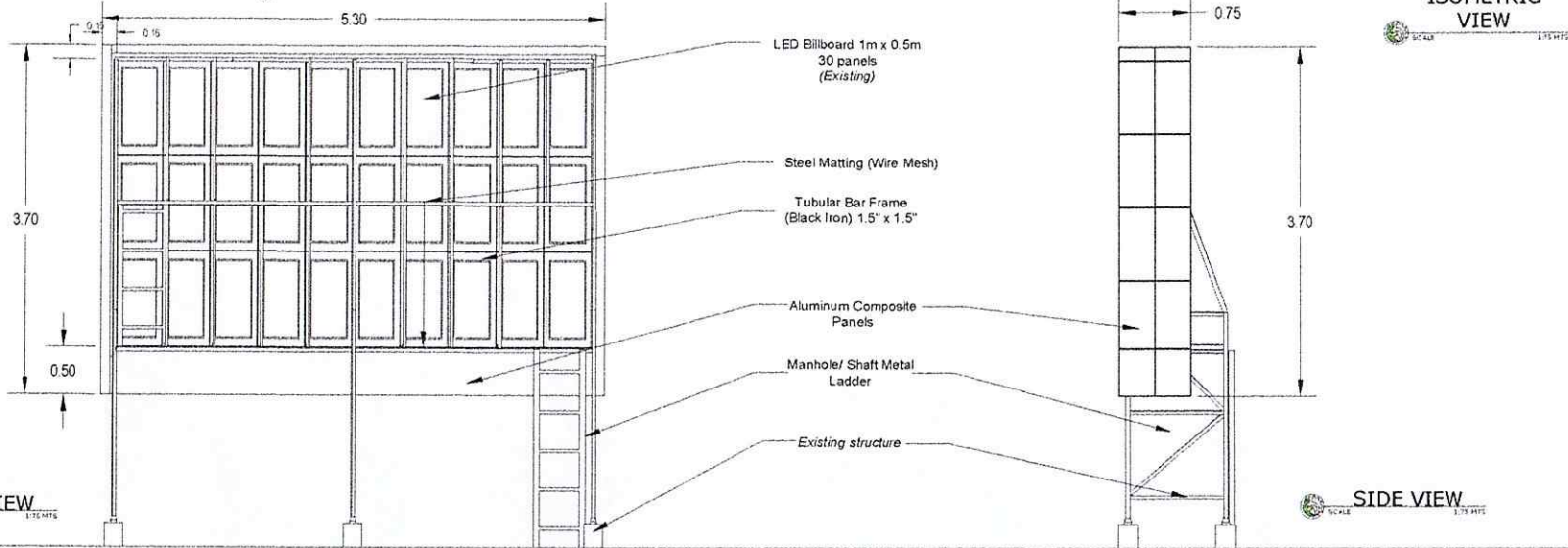
**JERRY F. AVELLANOZA**  
Acting Chief, Administrative Division





FRONT VIEW  
SCALE 1:75 METS

ISOMETRIC VIEW  
SCALE 1:75 METS



REAR VIEW  
SCALE 1:75 METS

SIDE VIEW  
SCALE 1:75 METS



**INSTALLATION OF ALUMINUM COMPOSITE PANELS FOR LED BILLBOARD AT MAIN GATE**  
  
PHILMECH COMPOUND, SCIENCE CITY OF MUÑOZ, NUEVA ECICJA

PREPARED BY:  
*[Signature]*  
ENGR. JENSO BULFIN G. GENICIA  
ARCHT. AP 018584

REVIEWED BY:  
*[Signature]*  
ENGR. RAYMUNDO R. MACARANAS  
ARCHT. 0007, ADMINISTRATIVE DIVISION

RECOMMENDING APPROVAL:  
*[Signature]*  
DR. EDU. A. CARRASCO, ENGR.  
DISASTERS DIVISION

APPROVED BY:  
*[Signature]*  
DIOCESIO G. CALAYUDA, PH.D.  
DIRECTOR IV

R.A. 9006 SECTION 20  
DRAWINGS AND SPECIFICATIONS SHALL BE MADE AND ISSUED IN ACCORDANCE WITH THE PROVISIONS OF THE REVISIONS AND AMENDMENTS OF THE ARCHITECT OR AUTHOR OF SUCH DRAWINGS AND SPECIFICATIONS. THE ARCHITECT OR AUTHOR OF SUCH DRAWINGS AND SPECIFICATIONS SHALL BE RESPONSIBLE FOR THE PROTECTION OF AND FOR OTHER PRODUCTS OR BRANDS AND FOR THE PROTECTION OF THE WHOLE AND PARTS THEREOF.  
  
PRESIDENTIAL DECREE NO. 60  
PROTECTION OF INTELLECTUAL PROPERTY  
IN ACCORDANCE WITH THE PROVISIONS OF THE ARCHITECTURE ACT AND REGULATIONS AND ORDINANCES AND CONSIDERED AS PART OF THE INTELLECTUAL PROPERTY OF THE AUTHOR AND PROTECTED THEREBY.

A2  
2 3

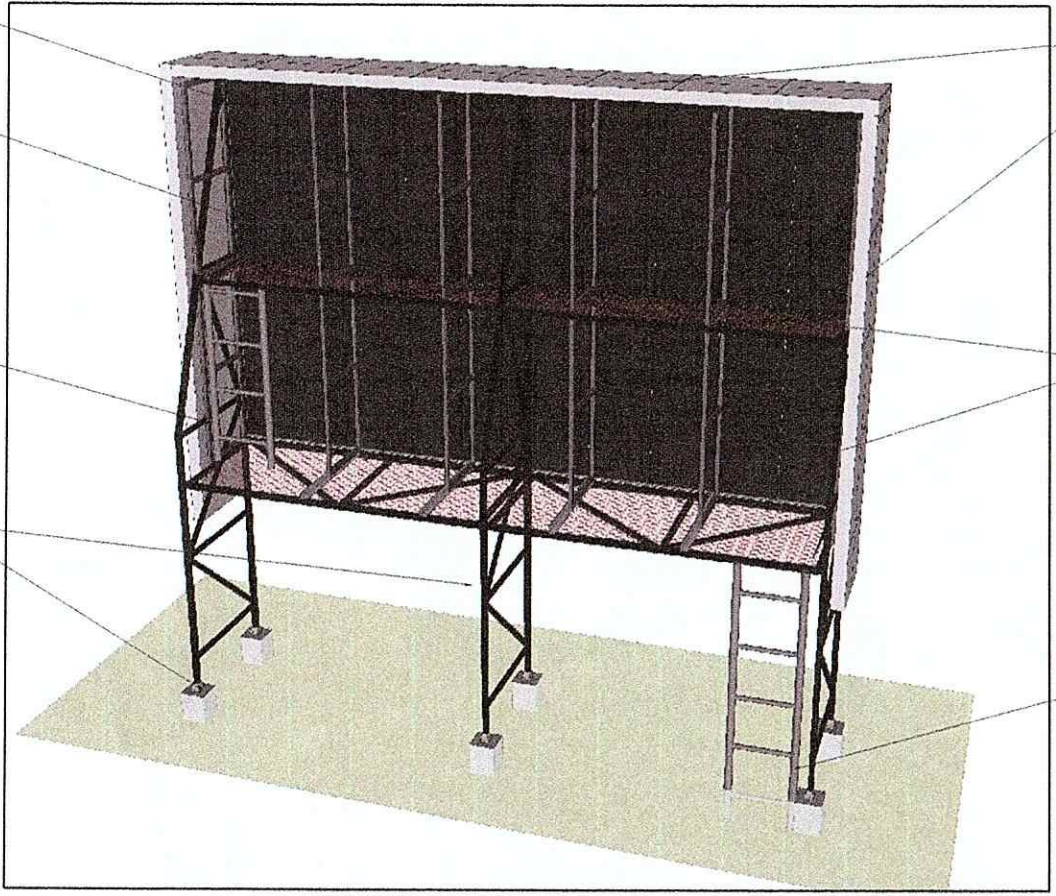


LED Billboard 1m x 0.5m  
30 panels  
(Existing)

Tubular Bar Frame (Black Iron) 1.5" x 1.5"

Manhole ladder

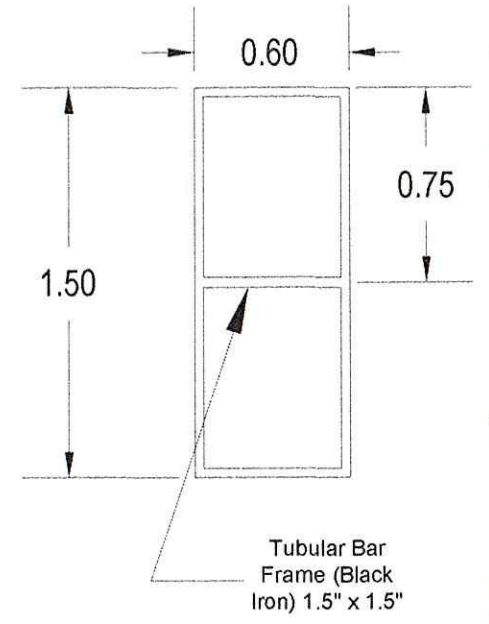
Existing Structure



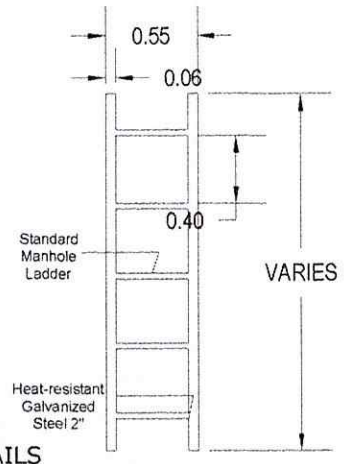
Aluminum Composite Panels

Steel Matting (Wire Mesh) 5 mm wire Ø

Manhole ladder



TUBULAR BAR FRAME DETAILS



MANHOLE LADDER DETAILS

PERSPECTIVE WITH DETAILS

SCALE 1:7.5 MTS



INSTALLATION OF ALUMINUM COMPOSITE PANELS FOR LED BILLBOARD AT MAIN GATE  
PHILMECH COMPOUND, SCIENCE CITY OF MUÑOZ, NUEVA ECIIJA

PREPARED BY:  
*[Signature]*  
ENGR. JENO BULLUC, DANICA  
ASST. ADM. OFFICER

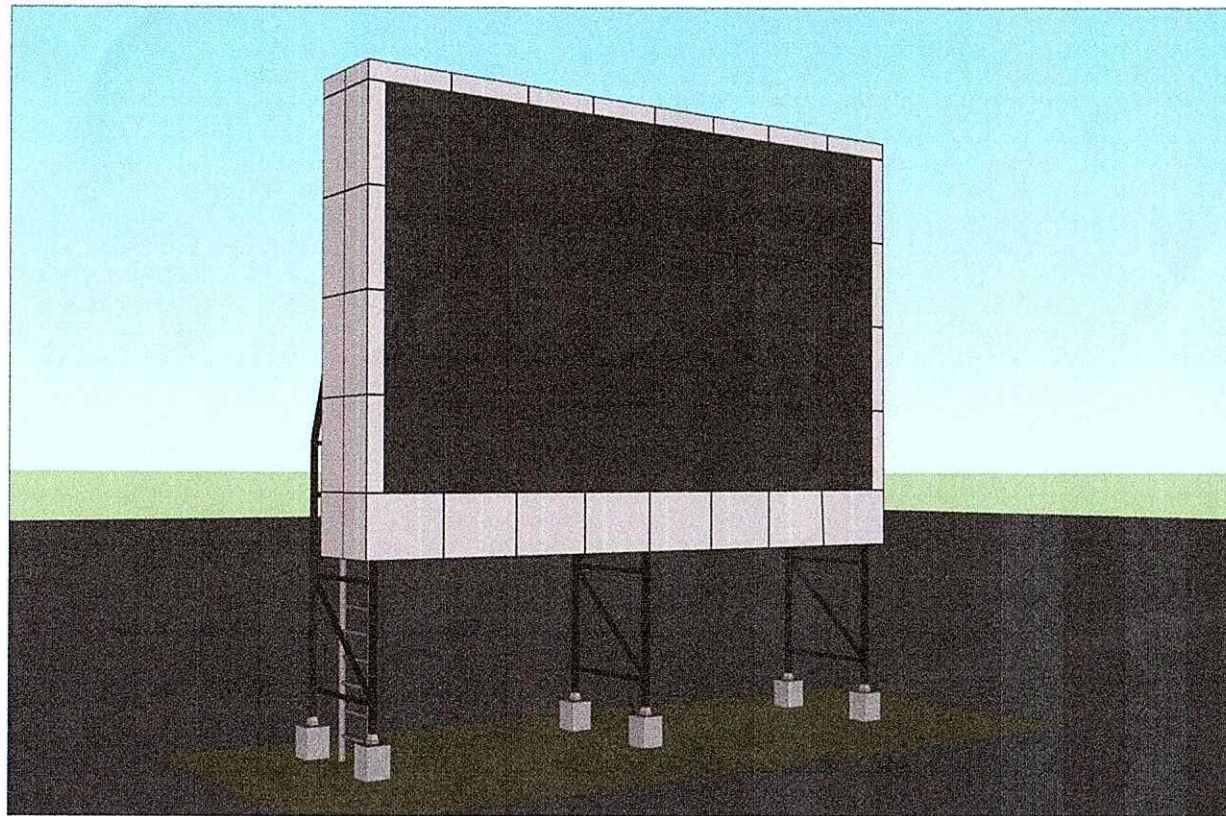
REVIEWED BY:  
*[Signature]*  
ENGR. RAYMUND ALMIRAN MACARANAS  
ACT'G. CHIEF ADMINISTRATIVE DIVISION

RECOMMENDING APPROVAL:  
*[Signature]*  
OFELIA A. CAPARISONA, ENGR.  
DIC ASSISTANT DIVISION

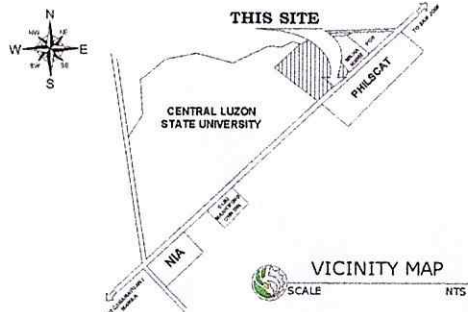
APPROVED BY:  
*[Signature]*  
DIONISIO G. MUNDIA, PH.D.  
DIRECTOR IV

R.A. 8236 SECTION 20  
COPYINGS AND REPRODUCTIONS OF ANY KIND, IN WHOLE OR IN PART, OR BY ANY MEANS, WITHOUT THE WRITTEN CONSENT OF THE ARCHITECT OR AUTHOR OF SUCH DOCUMENTS FOR THE USE IN THE REPRODUCTION OF ANY OTHER PROJECT OR DESIGN, OR FOR ANY OTHER PURPOSE, IS PROHIBITED.  
PROTECTION OF INTELLECTUAL PROPERTY RIGHTS IN THE FORM OF PATENT, TRADEMARK, COPYRIGHT, DESIGN, AND OTHER RIGHTS ARE HEREBY RESERVED.

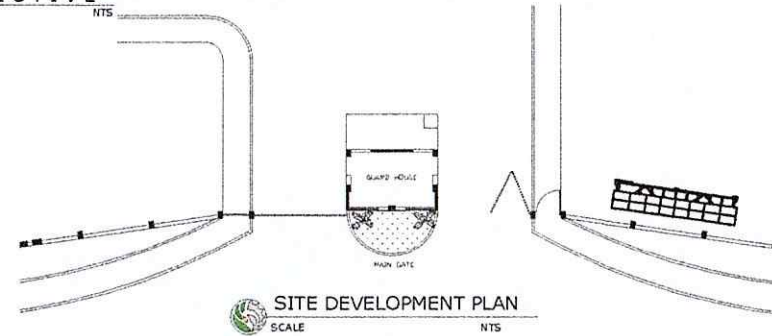
A3  
3 3



PERSPECTIVE  
SCALE NTS



VICINITY MAP  
SCALE NTS



SITE DEVELOPMENT PLAN  
SCALE NTS



INSTALLATION OF ALUMINUM COMPOSITE  
PANELS FOR LED BILLBOARD AT MAIN GATE  
  
PHILMECH COMPOUND, SCIENCE CITY OF  
MUÑOZ, NUEVA ECIJÁ

PREPARED BY:  
*[Signature]*  
ENGR. JENDO JULIUS S. GARCIA  
AG-111, AD-3111

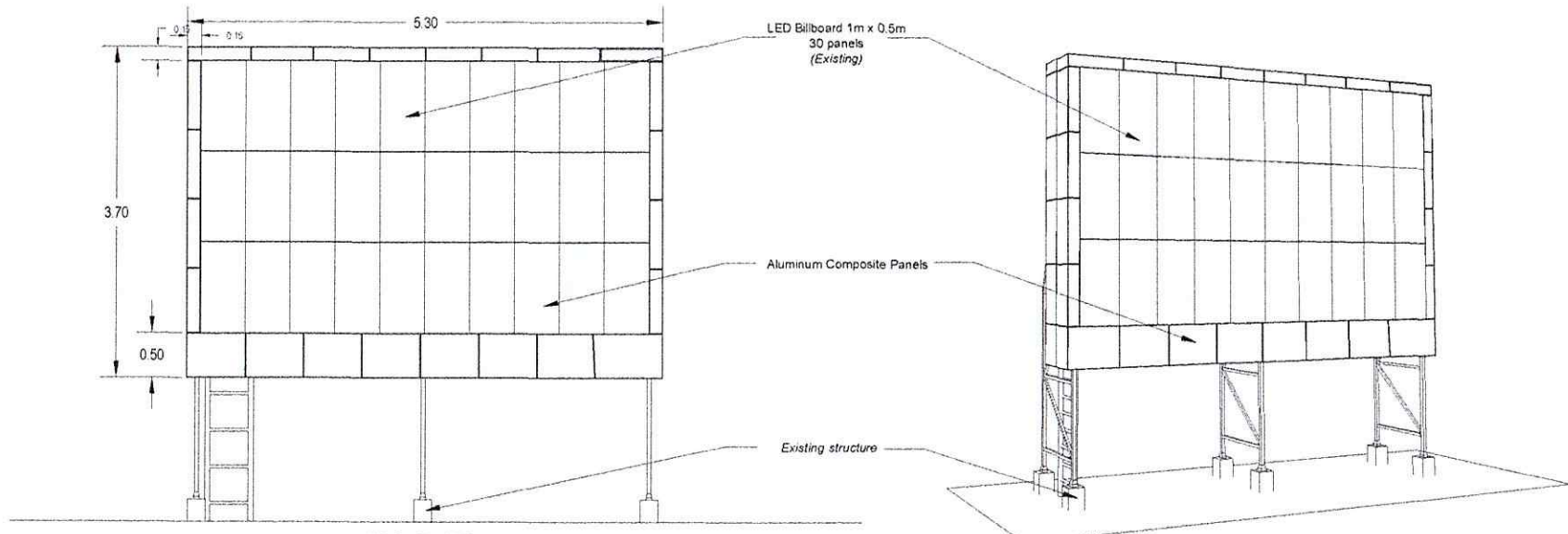
REVIEWED BY:  
*[Signature]*  
ENGR. RAYMUNDO G. P. MACARANAS  
AG-111, ADMINISTRATIVE DIVISION

RECOMMENDING APPROVAL:  
*[Signature]*  
DEIRDRA A. TORREALBA, B.S.D.  
DICE ASSISTANT DIRECTOR

APPROVED BY:  
*[Signature]*  
DIGN. SEO G. ALONCRIA, PH.D.  
DIRECTOR IV

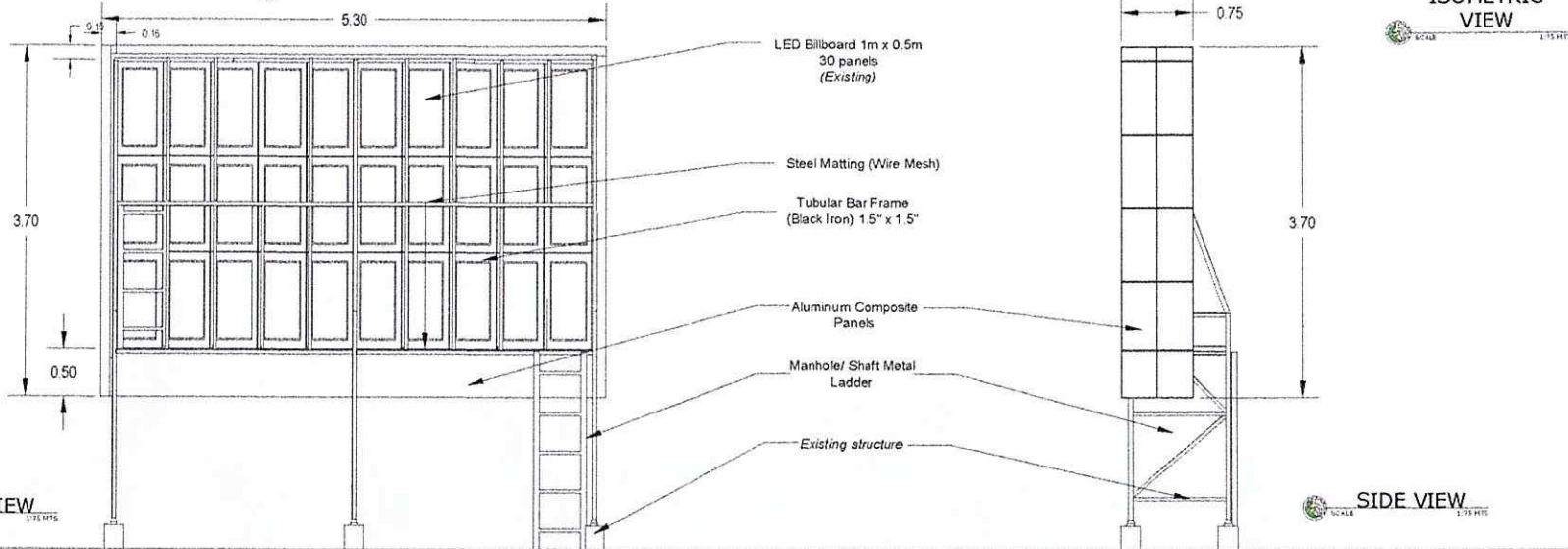
R.A. 9166 SECTION 20  
DRAWINGS AND SPECIFICATIONS EX-  
AMINED, ISSUED OR READY FOR INSTRUMENTS  
FOR SERVICE FOR THE PROJECTS MANAGED FOR  
SAY SERVICE, WITHOUT THE WRITTEN CONSENT  
OF THE ARCHITECT OR ARCHITECT OF RECORD  
SIGNED HEREIN FOR THE USE IN THE EXECUTION OF  
AND FOR OTHER PROJECTS OR REASONS  
UNLESS SPECIFICALLY STATED OTHERWISE.  
  
ENVIRONMENTAL DESIGN NO. 10  
PROTECTION OF INTELLECTUAL PROPERTY  
NOT IN FORCE IN THE PHILIPPINES OF ART.  
ARCHITECTURE, MODELS AND DRAWINGS ARE  
CREATIVE AND CONSIDERED AS PART OF THE  
INTELLECTUAL PROPERTY OF THE AUTHOR THAT  
PROTECTED UNDER R.A. 9166.

A1  
1 | 3



**FRONT VIEW**  
SCALE 1:75 MTS

**ISOMETRIC VIEW**  
SCALE 1:75 MTS



**REAR VIEW**  
SCALE 1:75 MTS

**SIDE VIEW**  
SCALE 1:75 MTS



**INSTALLATION OF ALUMINUM COMPOSITE PANELS FOR LED BILLBOARD AT MAIN GATE**

**PHILMECH COMPOUND, SCIENCE CITY OF MUÑOZ, NUEVA ECJA**

PREPARED BY:  
*[Signature]*  
ENGR. JELMO RUILO C. GARCIA  
AD III, AD UNIT

REVIEWED BY:  
*[Signature]*  
ENGR. FRANKLYN JOSEPH D. MACARANAS  
AD III, AD UNIT, ADMINISTRATIVE DIVISION

RECOMMENDING APPROVAL:  
*[Signature]*  
OF ENO A. CAPANAGA, PH.D.  
DCC ASSISTANT DIRECTOR

APPROVED BY:  
*[Signature]*  
DIGNO H. O. ALVAREZ, PH.D.  
DIRECTOR IV

R.A. 9206 SECTION 20  
DRAWINGS AND SPECIFICATIONS  
ISSUED, REVISIONS OR RECALLED IN THE MONTHS  
OF SERVICE AND THE PROGRESSIVE UNLAWFUL  
ALTERATIONS OUTSIDE THE OFFICE OF THE  
OF THE ARCHITECT OF SUPPLY IS SAID  
DOCUMENTS FOR THE USE IN THE REVISION OF  
AND FOR OTHER PROJECTS OR BUILDING  
METHODS EXCEPT PARTS OF IT WHOLE.  
RESIDENTIAL DESIGN NO. 48  
PROTECTION OF INTELLECTUAL PROPERTY  
ALIGNED IN THE OFFICE OF ART  
ARCHITECTURE, PLANNING AND DESIGN ARE  
CREATED AND CONSIDERED AS PART OF THE  
INTELLECTUAL PROPERTY OF THE OFFICE OF  
PROTECTED UNDER PD. 48.

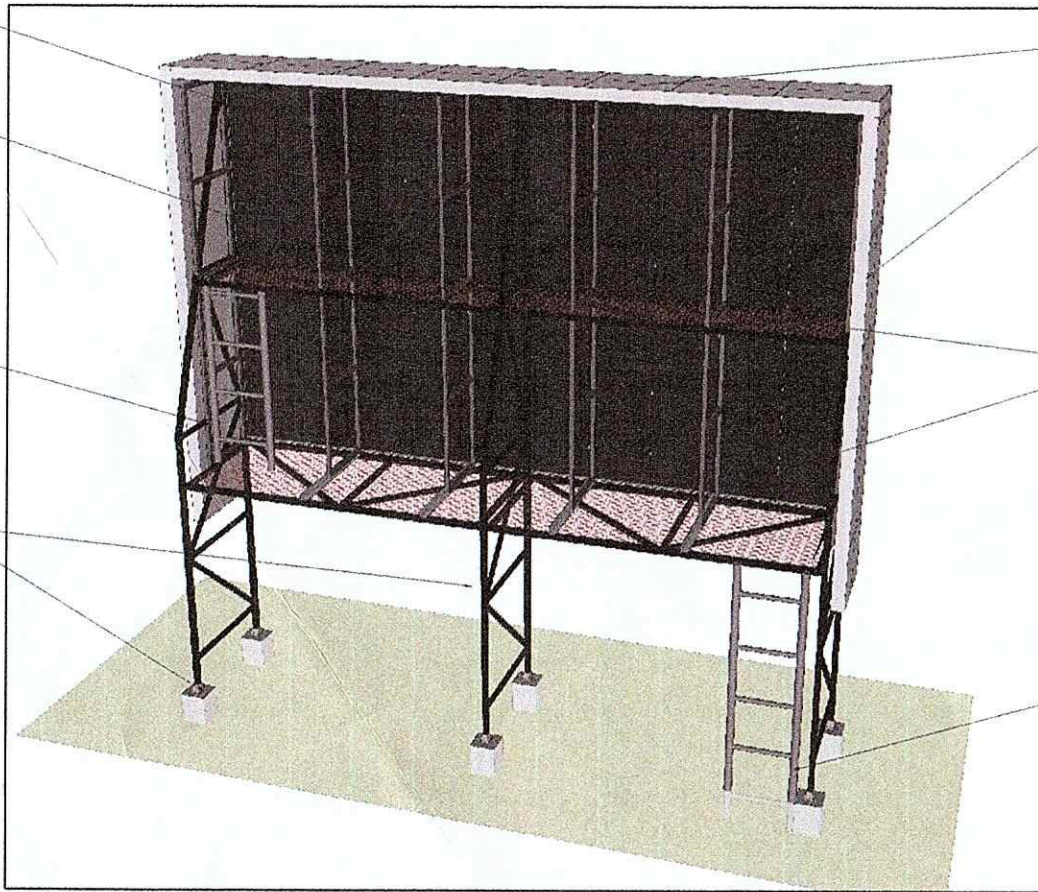
**A2**  
**2 3**

LED Billboard 1m x 0.5m  
30 panels  
(Existing)

Tubular Bar Frame (Black Iron) 1.5" x 1.5"

Manhole ladder

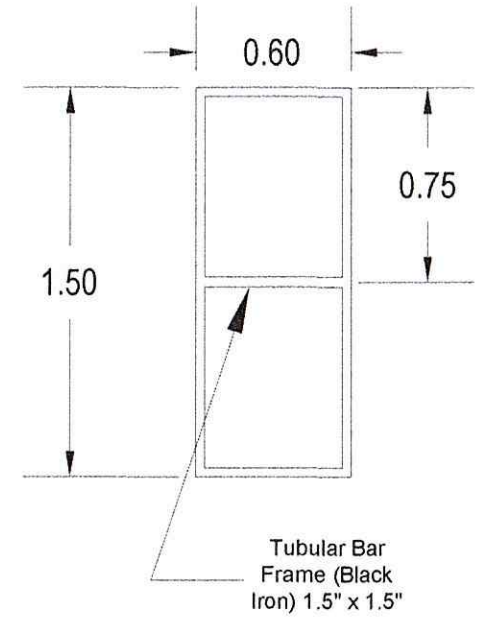
Existing Structure



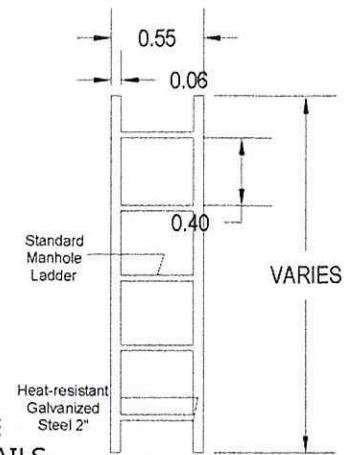
Aluminum Composite Panels

Steel Matting (Wire Mesh) 5 mm wire Ø

Manhole ladder



TUBULAR BAR FRAME DETAILS



MANHOLE LADDER DETAILS

PERSPECTIVE WITH DETAILS



SCALE 1:75 MTS



INSTALLATION OF ALUMINUM COMPOSITE PANELS FOR LED BILLBOARD AT MAIN GATE

PHILMECH COMPOUND, SCIENCE CITY OF MUÑOZ, NUEVA ECDA

PREPARED BY:

*[Signature]*  
ENGR. JENNIFER C. MORALES  
AS III, 40 BARRIO

REVIEWED BY:

*[Signature]*  
ENGR. RAYMUNDO J. MARIANO MACARANAS  
ACTIVE CHIEF, ADMINISTRATIVE DIVISION

RECOMMENDING APPROVAL:

*[Signature]*  
OFELIO A. CERRILLO, BLD.  
DIC ASSISTANT DIRECTOR

APPROVED BY:

*[Signature]*  
DIOSDADO G. ALVAREZ, PH.D.  
DIRECTOR IV

R.A. 9286 SECTION 20  
DRAWINGS AND SPECIFICATIONS SHALL BE KEPT IN A FRAME OR COVERED BY TRANSPARENT PAPER OR GLASS AND BE THE PROPERTY OF THE ARCHITECT OR AUTHOR OF SAID DOCUMENTS FOR THE USE IN THE EXECUTION OF AND FOR OTHER PROJECTS OF THE CLIENT. THESE DOCUMENTS SHALL BE RETURNED TO THE ARCHITECT OR AUTHOR OF SAID DOCUMENTS UPON COMPLETION OF THE PROJECT.  
PHILMECH COMPOUND, SCIENCE CITY OF MUÑOZ, NUEVA ECDA  
PROTECTION OF INTELLECTUAL PROPERTY: NUMBER 14, 2012 WORKS OF ART. ARCHITECTURE, SCENES AND SCENES ARE FINISHED AND UNFINISHED AS PART OF THE INTELLECTUAL PROPERTY OF THE ARCHITECT THAT PROTECTED UNDER R.A. 9286

A3  
3 3