

PHILIPPINE BIDDING DOCUMENTS

(As Harmonized with Development Partners)

Procurement of GOODS

Government of the Republic of the Philippines

**SUPPLY OF LABOR AND MATERIALS FOR THE DESIGN,
FABRICATION, DELIVERY AND ON-SITE INSTALLATION,
TESTING AND COMMISSIONING OF EQUIPMENT AND
MACHINERIES FOR WHITE COPRA-COOKING OIL
PROCESSING CENTER
(PHilMech-Goods-23-07-12)**

Schedule of Activities:

Pre-Bidding Conference:

July 19, 2023; 1:30PM

PHilMech Main Office

Science City of Muñoz, Nueva Ecija

Submission & Opening of Bids:

August 2, 2023; 1:30PM

PHilMech Main Office

Science City of Muñoz, Nueva Ecija

Sixth Edition

July 2020

Preface

These Philippine Bidding Documents (PBDs) for the procurement of Goods through Competitive Bidding have been prepared by the Government of the Philippines for use by any branch, constitutional commission or office, agency, department, bureau, office, or instrumentality of the Government of the Philippines, National Government Agencies, including Government-Owned and/or Controlled Corporations, Government Financing Institutions, State Universities and Colleges, and Local Government Unit. The procedures and practices presented in this document have been developed through broad experience, and are for mandatory use in projects that are financed in whole or in part by the Government of the Philippines or any foreign government/foreign or international financing institution in accordance with the provisions of the 2016 revised Implementing Rules and Regulations of Republic Act No. 9184.

The Bidding Documents shall clearly and adequately define, among others: (i) the objectives, scope, and expected outputs and/or results of the proposed contract or Framework Agreement, as the case may be; (ii) the eligibility requirements of Bidders; (iii) the expected contract or Framework Agreement duration, the estimated quantity in the case of procurement of goods, delivery schedule and/or time frame; and (iv) the obligations, duties, and/or functions of the winning bidder.

Care should be taken to check the relevance of the provisions of the PBDs against the requirements of the specific Goods to be procured. If duplication of a subject is inevitable in other sections of the document prepared by the Procuring Entity, care must be exercised to avoid contradictions between clauses dealing with the same matter.

Moreover, each section is prepared with notes intended only as information for the Procuring Entity or the person drafting the Bidding Documents. They shall not be included in the final documents. The following general directions should be observed when using the documents:

- a. All the documents listed in the Table of Contents are normally required for the procurement of Goods. However, they should be adapted as necessary to the circumstances of the particular Procurement Project.
- b. Specific details, such as the “*name of the Procuring Entity*” and “*address for bid submission*,” should be furnished in the Instructions to Bidders, Bid Data Sheet, and Special Conditions of Contract. The final documents should contain neither blank spaces nor options.
- c. This Preface and the footnotes or notes in italics included in the Invitation to Bid, Bid Data Sheet, General Conditions of Contract, Special Conditions of Contract, Schedule of Requirements, and Specifications are not part of the text of the final document, although they contain instructions that the Procuring Entity should strictly follow.

- d. The cover should be modified as required to identify the Bidding Documents as to the Procurement Project, Project Identification Number, and Procuring Entity, in addition to the date of issue.
- e. Modifications for specific Procurement Project details should be provided in the Special Conditions of Contract as amendments to the Conditions of Contract. For easy completion, whenever reference has to be made to specific clauses in the Bid Data Sheet or Special Conditions of Contract, these terms shall be printed in bold typeface on Sections I (Instructions to Bidders) and III (General Conditions of Contract), respectively.
- f. For guidelines on the use of Bidding Forms and the procurement of Foreign-Assisted Projects, these will be covered by a separate issuance of the Government Procurement Policy Board.

Table of Contents

Glossary of Acronyms, Terms, and Abbreviations	4
Section I. Invitation to Bid.....	7
Section II. Instructions to Bidders.....	11
1. Scope of Bid	12
2. Funding Information.....	12
3. Bidding Requirements	12
4. Corrupt, Fraudulent, Collusive, and Coercive Practices	12
5. Eligible Bidders.....	12
6. Origin of Goods	13
7. Subcontracts	13
8. Pre-Bid Conference	14
9. Clarification and Amendment of Bidding Documents	14
10. Documents comprising the Bid: Eligibility and Technical Components	14
11. Documents comprising the Bid: Financial Component	14
12. Bid Prices	15
13. Bid and Payment Currencies	15
14. Bid Security	16
15. Sealing and Marking of Bids	16
16. Deadline for Submission of Bids	16
17. Opening and Preliminary Examination of Bids	16
18. Domestic Preference	17
19. Detailed Evaluation and Comparison of Bids	17
20. Post-Qualification	17
21. Signing of the Contract	17
Section III. Bid Data Sheet	19
Section IV. General Conditions of Contract	22
1. Scope of Contract	23
2. Advance Payment and Terms of Payment	23
3. Performance Security	23
4. Inspection and Tests	23
5. Warranty	24
6. Liability of the Supplier	24
Section V. Special Conditions of Contract	23
Section VI. Schedule of Requirements	30
Section VII. Technical Specifications	31
Section VIII. Checklist of Technical and Financial Documents	46

Glossary of Acronyms, Terms, and Abbreviations

ABC – Approved Budget for the Contract.

BAC – Bids and Awards Committee.

Bid – A signed offer or proposal to undertake a contract submitted by a bidder in response to and in consonance with the requirements of the bidding documents. Also referred to as *Proposal* and *Tender*. (2016 revised IRR, Section 5[c])

Bidder – Refers to a contractor, manufacturer, supplier, distributor and/or consultant who submits a bid in response to the requirements of the Bidding Documents. (2016 revised IRR, Section 5[d])

Bidding Documents – The documents issued by the Procuring Entity as the bases for bids, furnishing all information necessary for a prospective bidder to prepare a bid for the Goods, Infrastructure Projects, and/or Consulting Services required by the Procuring Entity. (2016 revised IRR, Section 5[e])

BIR – Bureau of Internal Revenue.

BSP – Bangko Sentral ng Pilipinas.

Consulting Services – Refer to services for Infrastructure Projects and other types of projects or activities of the GOP requiring adequate external technical and professional expertise that are beyond the capability and/or capacity of the GOP to undertake such as, but not limited to: (i) advisory and review services; (ii) pre-investment or feasibility studies; (iii) design; (iv) construction supervision; (v) management and related services; and (vi) other technical services or special studies. (2016 revised IRR, Section 5[i])

CDA - Cooperative Development Authority.

Contract – Refers to the agreement entered into between the Procuring Entity and the Supplier or Manufacturer or Distributor or Service Provider for procurement of Goods and Services; Contractor for Procurement of Infrastructure Projects; or Consultant or Consulting Firm for Procurement of Consulting Services; as the case may be, as recorded in the Contract Form signed by the parties, including all attachments and appendices thereto and all documents incorporated by reference therein.

CIF – Cost Insurance and Freight.

CIP – Carriage and Insurance Paid.

CPI – Consumer Price Index.

DDP – Refers to the quoted price of the Goods, which means “delivered duty paid.”

DTI – Department of Trade and Industry.

EXW – Ex works.

FCA – “Free Carrier” shipping point.

FOB – “Free on Board” shipping point.

Foreign-funded Procurement or Foreign-Assisted Project– Refers to procurement whose funding source is from a foreign government, foreign or international financing institution as specified in the Treaty or International or Executive Agreement. (2016 revised IRR, Section 5[b]).

Framework Agreement – Refers to a written agreement between a procuring entity and a supplier or service provider that identifies the terms and conditions, under which specific purchases, otherwise known as “Call-Offs,” are made for the duration of the agreement. It is in the nature of an option contract between the procuring entity and the bidder(s) granting the procuring entity the option to either place an order for any of the goods or services identified in the Framework Agreement List or not buy at all, within a minimum period of one (1) year to a maximum period of three (3) years. (GPPB Resolution No. 27-2019)

GFI – Government Financial Institution.

GOCC – Government-owned and/or –controlled corporation.

Goods – Refer to all items, supplies, materials and general support services, except Consulting Services and Infrastructure Projects, which may be needed in the transaction of public businesses or in the pursuit of any government undertaking, project or activity, whether in the nature of equipment, furniture, stationery, materials for construction, or personal property of any kind, including non-personal or contractual services such as the repair and maintenance of equipment and furniture, as well as trucking, hauling, janitorial, security, and related or analogous services, as well as procurement of materials and supplies provided by the Procuring Entity for such services. The term “related” or “analogous services” shall include, but is not limited to, lease or purchase of office space, media advertisements, health maintenance services, and other services essential to the operation of the Procuring Entity. (2016 revised IRR, Section 5[r])

GOP – Government of the Philippines.

GPPB – Government Procurement Policy Board.

INCOTERMS – International Commercial Terms.

Infrastructure Projects – Include the construction, improvement, rehabilitation, demolition, repair, restoration or maintenance of roads and bridges, railways, airports, seaports, communication facilities, civil works components of information technology projects, irrigation, flood control and drainage, water supply, sanitation, sewerage and solid waste management systems, shore protection, energy/power and electrification facilities, national

buildings, school buildings, hospital buildings, and other related construction projects of the government. Also referred to as *civil works or works*. (2016 revised IRR, Section 5[u])

LGUs – Local Government Units.

NFCC – Net Financial Contracting Capacity.

NGA – National Government Agency.

PhilGEPS - Philippine Government Electronic Procurement System.

Procurement Project – refers to a specific or identified procurement covering goods, infrastructure project or consulting services. A Procurement Project shall be described, detailed, and scheduled in the Project Procurement Management Plan prepared by the agency which shall be consolidated in the procuring entity's Annual Procurement Plan. (GPPB Circular No. 06-2019 dated 17 July 2019)

PSA – Philippine Statistics Authority.

SEC – Securities and Exchange Commission.

SLCC – Single Largest Completed Contract.

Supplier – refers to a citizen, or any corporate body or commercial company duly organized and registered under the laws where it is established, habitually established in business and engaged in the manufacture or sale of the merchandise or performance of the general services covered by his bid. (Item 3.8 of GPPB Resolution No. 13-2019, dated 23 May 2019). Supplier as used in these Bidding Documents may likewise refer to a distributor, manufacturer, contractor, or consultant.

UN – United Nations.

Section I. Invitation to Bid



Republic of the Philippines
 Department of Agriculture
Philippine Center for Postharvest Development and Mechanization
 Science City of Muñoz, Nueva Ecija
www.philmech.gov.ph
 ISO 9001:2015, ISO 14001:2015, ISO 45001:2018 CERTIFIED



**INVITATION TO BID FOR
 SUPPLY OF LABOR AND MATERIALS FOR THE DESIGN, FABRICATION, DELIVERY
 AND ON-SITE INSTALLATION, TESTING AND COMMISSIONING OF EQUIPMENT AND
 MACHINERIES FOR WHITE COPRA-COOKING OIL PROCESSING CENTER
 (PHilMech-Goods-23-07-12)**

1. The **Philippine Center for Postharvest Development and Mechanization (PHilMech)** through its **FY 2023 Coco Levy Fund** intends to apply the below-specified amounts, being the Approved Budget for the Contract (ABC) for each lot, as indicated herein to payments under the contract for the **SUPPLY OF LABOR AND MATERIALS FOR THE DESIGN, FABRICATION, DELIVERY AND ON-SITE INSTALLATION, TESTING AND COMMISSIONING OF EQUIPMENT AND MACHINERIES FOR WHITE COPRA-COOKING OIL PROCESSING CENTER**. Bids received in excess of the ABC of each Lot shall be automatically rejected during Bid opening.

LOT NO.	PROJECT TITLE	ABC (PhP)	COST OF BIDDING DOCUMENTS (PhP)
1	SUPPLY OF LABOR AND MATERIALS FOR THE DESIGN, FABRICATION, DELIVERY AND ON-SITE INSTALLATION, TESTING AND COMMISSIONING OF EQUIPMENT AND MACHINERIES FOR 3 SETS OF WHITE COPRA-COOKING OIL PROCESSING CENTER IN PAWA, BOAC, MARINDUQUE; SAN LORENZO, GUIMARAS; AND DARO, JARO, LEYTE	31,025,500.00	25,000.00
2	SUPPLY OF LABOR AND MATERIALS FOR THE DESIGN, FABRICATION, DELIVERY AND ON-SITE INSTALLATION, TESTING AND COMMISSIONING OF EQUIPMENT AND MACHINERIES FOR 4 SETS OF WHITE COPRA-COOKING OIL PROCESSING CENTER IN CALUBE, SULTAN, NAGA DIMAPORO, LANA DEL NORTE; LIBUNGAN, NORTH COTABATO; KATIPUNAN, PANABO CITY, DAVAO DEL NORTE; AND POBLACION, PRES. ROXAS, NORTH COTABATO	41,384,000.00	25,000.00
	ALL LOTS	72,409,500.00	50,000.00

2. The PHilMech now invites bids from eligible bidders for the **SUPPLY OF LABOR AND MATERIALS FOR THE DESIGN, FABRICATION, DELIVERY AND ON-SITE INSTALLATION, TESTING AND COMMISSIONING OF EQUIPMENT AND MACHINERIES FOR WHITE COPRA-COOKING OIL PROCESSING CENTER**. Delivery

of the GOODS is required within **One Hundred Twenty (120) calendar days** from receipt of the Notice to Proceed. Bidders should have completed within ten (10) years from the date of submission and receipt of bids a contract similar to the project. For this purpose, a similar contract shall refer to any contract for the *Supply or Fabrication of Dryers or other Agricultural Machinery and Equipment*.

3. Bidding will be conducted through open competitive bidding procedures using non-discretionary pass/fail criteria as specified in the 2016 Revised Implementing Rules and Regulations (IRR-A) of Republic Act 9184 (R.A. 9184), otherwise known as the “Government Procurement Reform Act”.

Bidding is restricted to Filipino citizens/sole proprietorships, partnerships, or organizations with at least sixty percent (60%) interest or outstanding capital stock belonging to citizens of the Philippines, and to citizens or organizations of a country the laws or regulations of which grant similar rights or privileges to Filipino citizens, pursuant to RA 5183.

4. Interested Bidders may obtain further information from the **PHilMech** and inspect the Bidding Documents at the address given below from 8:00 am to 5:00 pm.
5. A complete set of Bidding Documents may be acquired by interested Bidders during office hours from **July 12 to August 2, 2023** from the address below upon payment of the applicable fee for the Bidding Documents as specified for each lot above.

Bidders may also opt to deposit in cash the applicable fee to the PHilMech’s Official Bank Account: Landbank of the Philippines (LBP) Account Name: PHILMECH TRUST FUND; Account No. 2962-1023-63 and by presenting or sending the proof of payment e.g. bank deposit slips to the address written below or email to bac@philmech.gov.ph subject to the condition that the bank service charge will be shouldered by the bidder.

The Bidding Documents may also be downloaded free of charge from the website of the Philippine Government Electronic Procurement System (PhilGEPS) and the website of the Procuring Entity provided that Bidders shall pay the applicable fee for the Bidding Documents before the submission of their Bids.

6. The PHilMech will hold a Pre-Bid Conference on **July 19, 2023; 1:30PM** at the **Auditorium, PHilMech Main Office, CLSU Compound, Science City of Muñoz, Nueva Ecija**, which shall be open to prospective bidders.

Interested bidders may opt to attend via video conferencing and pre-register on the email address provided below to signify their intention to participate. A Personal Meeting ID shall be provided to the authorized representative upon registration.

7. Bids must be duly received by the BAC Secretariat through manual submission at the address indicated below on or before **1:30PM of August 2, 2023**. Late Bids shall not be accepted.
8. All Bids must be accompanied by a bid security in any of the acceptable forms and in the amount stated in **ITB** Clause 14.
9. Bid opening shall be on **August 2, 2023; 1:30PM** at the address given below. Bids will be opened in the presence of the bidders’ representatives who choose to attend the activity
10. The **PHilMech** reserves the right to reject any and all bids, declare a failure of bidding, or not award the contract at any time prior to contract award in accordance with Section 35.6 and Section 41 of RA9184 and its IRR and GPPB Resolution No. 09-2020 without thereby incurring any liability to the affected bidder or bidders.

11. For further information, please **contact**:

The BAC Secretariat,
PHilMech Administrative Division-Procurement Management Section
CLSU Compound, Science City of Muñoz, Nueva Ecija
Contact No. 0917 301 8242
E-mail: bac@philmech.gov.ph

12. Interested bidders may also visit the following websites:

For downloading of Bidding Documents:
www.philmech.gov.ph
<https://old.philmech.gov.ph/?page=bidding>

RONALDO SEBASTIAN R. REYES
BAC Chairperson

NOTICE/ANNOUNCEMENT

PHILMECH DOES NOT CONDONE ANY FORM OF SOLICITATION FROM ANY PROSPECTIVE BIDDER BY ANY OF ITS STAFF/EMPLOYEE OR BY ANY OTHER PARTY. ANY ACTIVITY OF THIS NATURE MAY BE IMMEDIATELY REPORTED TO THE OFFICE OF THE DIRECTOR OR TO ANY APPROPRIATE LAW ENFORCEMENT AGENCY FOR ENTRAPMENT AND/OR INVESTIGATION.

Section II. Instructions to Bidders

1. Scope of Bid

The Procuring Entity, *Philippine Center for Postharvest Development and Mechanization (PHilMech)* wishes to receive Bids for the ***SUPPLY OF LABOR AND MATERIALS FOR THE DESIGN, FABRICATION, DELIVERY AND ON-SITE INSTALLATION, TESTING AND COMMISSIONING OF EQUIPMENT AND MACHINERIES FOR WHITE COPRA-COOKING OIL PROCESSING CENTER*** with identification number (*PHilMech-Goods-23-07-12*).

The Procurement Project ***SUPPLY OF LABOR AND MATERIALS FOR THE DESIGN, FABRICATION, DELIVERY AND ON-SITE INSTALLATION, TESTING AND COMMISSIONING OF EQUIPMENT AND MACHINERIES FOR WHITE COPRA-COOKING OIL PROCESSING CENTER*** is composed of *two (2) lots*, the details of which are described in Section VII (Technical Specifications).

2. Funding Information

2.1. The GOP through the source of funding indicated below for **FY 2023** in the amount of **PhP 72,409,500.00**.

2.2. The source of funding is NGA, the General Appropriations Act.

3. Bidding Requirements

The Bidding for the Project shall be governed by all the provisions of RA No. 9184 and its 2016 revised IRR, including its Generic Procurement Manuals and associated policies, rules and regulations as the primary source thereof, while the herein clauses shall serve as the secondary source thereof.

Any amendments made to the IRR and other GPPB issuances shall be applicable only to the ongoing posting, advertisement, or **IB** by the BAC through the issuance of a supplemental or bid bulletin.

The Bidder, by the act of submitting its Bid, shall be deemed to have verified and accepted the general requirements of this Project, including other factors that may affect the cost, duration and execution or implementation of the contract, project, or work and examine all instructions, forms, terms, and project requirements in the Bidding Documents.

4. Corrupt, Fraudulent, Collusive, and Coercive Practices

The Procuring Entity, as well as the Bidders and Suppliers, shall observe the highest standard of ethics during the procurement and execution of the contract. They or through an agent shall not engage in corrupt, fraudulent, collusive, coercive, and obstructive practices defined under Annex "I" of the 2016 revised IRR of RA No. 9184 or other integrity violations in competing for the Project.

5. Eligible Bidders

- 5.1. Only Bids or Bidders found to be legally, technically, and financially capable will be evaluated.
- 5.2.
- a. Foreign ownership exceeding those allowed under the rules may participate pursuant to:
 - i. When a Treaty or International or Executive Agreement as provided in Section 4 of the RA No. 9184 and its 2016 revised IRR allow foreign bidders to participate;
 - ii. Citizens, corporations, or associations of a country, included in the list issued by the GPPB, the laws or regulations of which grant reciprocal rights or privileges to citizens, corporations, or associations of the Philippines;
 - iii. When the Goods sought to be procured are not available from local suppliers; or
 - iv. When there is a need to prevent situations that defeat competition or restrain trade.
- 5.3. Pursuant to Section 23.4.1.3 of the 2016 revised IRR of RA No.9184, the Bidder must have:
- i. **Completed at least two (2) similar contracts, the aggregate amount of which should be equivalent to at least fifty percent (50%) of the ABC for this Project; and**
 - ii. **The largest of these similar contracts must be equivalent to at least half of the percentage of the ABC as required above.**
- 5.4. The Bidders shall comply with the eligibility criteria under Section 23.4.1 of the 2016 IRR of RA No. 9184.

6. Origin of Goods

There is no restriction on the origin of goods other than those prohibited by a decision of the UN Security Council taken under Chapter VII of the Charter of the UN, subject to Domestic Preference requirements under **ITB** Clause 18.

7. Subcontracts

- 7.1. The Bidder may not subcontract any portions of the Project to the extent allowed by the Procuring Entity as stated herein, but in no case more than twenty percent (20%) of the Project.

Subcontracting is not allowed.

- 7.2. Subcontracting of any portion of the Project does not relieve the Supplier of any liability or obligation under the Contract. The Supplier will be responsible

for the acts, defaults, and negligence of any subcontractor, its agents, servants, or workmen as fully as if these were the Supplier's own acts, defaults, or negligence, or those of its agents, servants, or workmen.

8. Pre-Bid Conference

The Procuring Entity will hold a pre-bid conference for this Project on the specified date and time and either at the PHilMech Auditorium and/or video conferencing/webcasting as indicated in paragraph 6 of the IB.

9. Clarification and Amendment of Bidding Documents

Prospective bidders may request for clarification on and/or interpretation of any part of the Bidding Documents. Such requests must be in writing and received by the Procuring Entity, either at its given address or through electronic mail indicated in the **IB**, at least ten (10) calendar days before the deadline set for the submission and receipt of Bids.

10. Documents comprising the Bid: Eligibility and Technical Components

- 10.1. The first envelope shall contain the eligibility and technical documents of the Bid as specified in **Section VIII (Checklist of Technical and Financial Documents)**.
- 10.2. The Bidder's SLCC as indicated in **ITB** Clause 5.3 should have been completed within **10 years** prior to the deadline for the submission and receipt of bids.
- 10.3. If the eligibility requirements or statements, the bids, and all other documents for submission to the BAC are in foreign language other than English, it must be accompanied by a translation in English, which shall be authenticated by the appropriate Philippine foreign service establishment, post, or the equivalent office having jurisdiction over the foreign bidder's affairs in the Philippines. Similar to the required authentication above, for Contracting Parties to the Apostille Convention, only the translated documents shall be authenticated through an apostille pursuant to GPPB Resolution No. 13-2019 dated 23 May 2019. The English translation shall govern, for purposes of interpretation of the bid.

11. Documents comprising the Bid: Financial Component

- 11.1. The second bid envelope shall contain the financial documents for the Bid as specified in **Section VIII (Checklist of Technical and Financial Documents)**.
- 11.2. If the Bidder claims preference as a Domestic Bidder or Domestic Entity, a certification issued by DTI shall be provided by the Bidder in accordance with Section 43.1.3 of the 2016 revised IRR of RA No. 9184.

- 11.3. Any bid exceeding the ABC indicated in paragraph 1 of the **IB** shall not be accepted.
- 11.4. For Foreign-funded Procurement, a ceiling may be applied to bid prices provided the conditions are met under Section 31.2 of the 2016 revised IRR of RA No. 9184.

12. Bid Prices

- 12.1. Prices indicated on the Price Schedule shall be entered separately in the following manner:
 - a. For Goods offered from within the Procuring Entity's country:
 - i. The price of the Goods quoted EXW (ex-works, ex-factory, ex-warehouse, ex-showroom, or off-the-shelf, as applicable);
 - ii. The cost of all customs duties and sales and other taxes already paid or payable;
 - iii. The cost of transportation, insurance, and other costs incidental to delivery of the Goods to their final destination; and
 - iv. The price of other (incidental) services, if any, listed in e.
 - b. For Goods offered from abroad:
 - i. Unless otherwise stated in the **BDS**, the price of the Goods shall be quoted delivered duty paid (DDP) with the place of destination in the Philippines as specified in the **BDS**. In quoting the price, the Bidder shall be free to use transportation through carriers registered in any eligible country. Similarly, the Bidder may obtain insurance services from any eligible source country.
 - ii. The price of other (incidental) services, if any, as listed in **Section VII (Technical Specifications)**.

13. Bid and Payment Currencies

- 13.1. For Goods that the Bidder will supply from outside the Philippines, the bid prices may be quoted in the local currency or tradeable currency accepted by the BSP at the discretion of the Bidder. However, for purposes of bid evaluation, Bids denominated in foreign currencies, shall be converted to Philippine currency based on the exchange rate as published in the BSP reference rate bulletin on the day of the bid opening.
- 13.2. Payment of the contract price shall be made in:
 - a. Philippine Pesos.

14. Bid Security

- 14.1. The Bidder shall submit a Bid Securing Declaration¹ or any form of Bid Security in the amount indicated in the **BDS**, which shall be not less than the percentage of the ABC in accordance with the schedule in the **BDS**.
- 14.2. The Bid and bid security shall be valid until *November 30, 2023 or one hundred twenty (120) calendar days after the opening of bids in the event of a change in the date of the opening of bids*. Any Bid not accompanied by an acceptable bid security shall be rejected by the Procuring Entity as non-responsive.

15. Sealing and Marking of Bids

Each Bidder shall submit one copy of the first and second components of its Bid.

The Procuring Entity may request additional hard copies and/or electronic copies of the Bid. However, failure of the Bidders to comply with the said request shall not be a ground for disqualification.

If the Procuring Entity allows the submission of bids through online submission or any other electronic means, the Bidder shall submit an electronic copy of its Bid, which must be digitally signed. An electronic copy that cannot be opened or is corrupted shall be considered non-responsive and, thus, automatically disqualified.

16. Deadline for Submission of Bids

- 16.1. The Bidders shall submit on the specified date and time and either at its physical address or through online submission as indicated in paragraph 7 of the **IB**.

17. Opening and Preliminary Examination of Bids

- 17.1. The BAC shall open the Bids in public at the time, on the date, and at the place specified in paragraph 9 of the **IB**. The Bidders' representatives who are present shall sign a register evidencing their attendance. In case videoconferencing, webcasting or other similar technologies will be used, attendance of participants shall likewise be recorded by the BAC Secretariat.

In case the Bids cannot be opened as scheduled due to justifiable reasons, the rescheduling requirements under Section 29 of the 2016 revised IRR of RA No. 9184 shall prevail.

- 17.2. The preliminary examination of bids shall be governed by Section 30 of the 2016 revised IRR of RA No. 9184.

¹ In the case of Framework Agreement, the undertaking shall refer to entering into contract with the Procuring Entity and furnishing of the performance security or the performance securing declaration within ten (10) calendar days from receipt of Notice to Execute Framework Agreement.

18. Domestic Preference

- 18.1. The Procuring Entity will grant a margin of preference for the purpose of comparison of Bids in accordance with Section 43.1.2 of the 2016 revised IRR of RA No. 9184.

19. Detailed Evaluation and Comparison of Bids

- 19.1. The Procuring BAC shall immediately conduct a detailed evaluation of all Bids rated “*passed*,” using non-discretionary pass/fail criteria. The BAC shall consider the conditions in the evaluation of Bids under Section 32.2 of the 2016 revised IRR of RA No. 9184.
- 19.2. If the Project allows partial bids, bidders may submit a proposal on any of the lots or items, and evaluation will be undertaken on a per lot or item basis, as the case may be. In this case, the Bid Security as required by **ITB** Clause 15 shall be submitted for each lot or item separately.
- 19.3. The descriptions of the lots or items shall be indicated in **Section VII (Technical Specifications)**, although the ABCs of these lots or items are indicated in the **BDS** for purposes of the NFCC computation pursuant to Section 23.4.2.6 of the 2016 revised IRR of RA No. 9184. The NFCC must be sufficient for the total of the ABCs for all the lots or items participated in by the prospective Bidder.
- 19.4. The Project shall be awarded as follows:

One Project having several items grouped into several lots, which shall be awarded as separate contracts per lot.

- 19.5. Except for bidders submitting a committed Line of Credit from a Universal or Commercial Bank in lieu of its NFCC computation, all Bids must include the NFCC computation pursuant to Section 23.4.1.4 of the 2016 revised IRR of RA No. 9184, which must be sufficient for the total of the ABCs for all the lots or items participated in by the prospective Bidder. For bidders submitting the committed Line of Credit, it must be at least equal to ten percent (10%) of the ABCs for all the lots or items participated in by the prospective Bidder.

20. Post-Qualification

Within a non-extendible period of five (5) calendar days from receipt by the Bidder of the notice from the BAC that it submitted the Lowest Calculated Bid, the Bidder shall submit its latest income and business tax returns filed and paid through the BIR Electronic Filing and Payment System (eFPS) and other appropriate licenses and permits required by law and stated in the **BDS**.

21. Signing of the Contract

21.1. The documents required in Section 37.2 of the 2016 revised IRR of RA No. 9184 shall form part of the Contract. Additional Contract documents are indicated in the **BDS**.

Section III. Bid Data Sheet

Bid Data Sheet

ITB Clause													
5.3	<p>For this purpose, a contract similar to the project shall be:</p> <p><i>a. Supply or Fabrication of Dryers or other Agricultural Machinery and Equipment.</i></p> <p>b. Completed, within the last 10 years prior to the deadline for the submission and receipt of bids. At least two (2) similar contracts, the aggregate amount of which should be equivalent to at least fifty percent (50%) of the ABC for this Project; and the largest of these similar contracts must be equivalent to at least half of the percentage of the ABC as required above.</p> <p>Bidders shall include in their bids:</p> <ol style="list-style-type: none"> 1. A photocopy of the Single Largest Completed Contract or Purchase Order; and 2. The corresponding proof of completion, which could either be: <ol style="list-style-type: none"> (i) Certificate of Final Acceptance from the bidder's client; or (ii) Official Receipt of the bidder covering the full amount of the contract <p>Failure to submit a copy of the Single Largest Completed Contract and proof of completion is a valid ground for disqualification of the bidder.</p>												
7.1	<i>Subcontracting is not allowed.</i>												
12	No further instruction												
14.1	<p>The bid security shall be in the form of a Bid Securing Declaration, or any of the following forms and amounts:</p> <table border="1" style="width: 100%; border-collapse: collapse; margin: 10px 0;"> <thead> <tr> <th style="width: 10%;">LOT NO.</th> <th style="width: 20%;">ABC</th> <th style="width: 35%;">1. Bid Security in cash, cashier's/manager's check, bank draft/guarantee or irrevocable letter of credit (2% of the ABC)</th> <th style="width: 35%;">2. Bid Security in Surety Bond (5% of the ABC)</th> </tr> </thead> <tbody> <tr> <td style="text-align: center;">1</td> <td style="text-align: right;">31,025,500.00</td> <td style="text-align: right;">620,510.00</td> <td style="text-align: right;">1,551,275.00</td> </tr> <tr> <td style="text-align: center;">2</td> <td style="text-align: right;">41,384,000.00</td> <td style="text-align: right;">827,680.00</td> <td style="text-align: right;">2,069,200.00</td> </tr> </tbody> </table> <p>One Bid Security shall be submitted for each lot if the bid security is in the form of cash, cashier's/manager' check, bank draft/guarantee or irrevocable letter of credit or surety bond.</p>	LOT NO.	ABC	1. Bid Security in cash, cashier's/manager's check, bank draft/guarantee or irrevocable letter of credit (2% of the ABC)	2. Bid Security in Surety Bond (5% of the ABC)	1	31,025,500.00	620,510.00	1,551,275.00	2	41,384,000.00	827,680.00	2,069,200.00
LOT NO.	ABC	1. Bid Security in cash, cashier's/manager's check, bank draft/guarantee or irrevocable letter of credit (2% of the ABC)	2. Bid Security in Surety Bond (5% of the ABC)										
1	31,025,500.00	620,510.00	1,551,275.00										
2	41,384,000.00	827,680.00	2,069,200.00										

19.3	LOT NO.	PROJECT TITLE *	ABC (PhP)
	1	SUPPLY OF LABOR AND MATERIALS FOR THE DESIGN, FABRICATION, DELIVERY AND ON-SITE INSTALLATION, TESTING AND COMMISSIONING OF EQUIPMENT AND MACHINERIES FOR 3 SETS OF WHITE COPRA-COOKING OIL PROCESSING CENTER IN PAWA, BOAC, MARINDUQUE; SAN LORENZO, GUIMARAS; AND DARO, JARO, LEYTE	31,025,500.00
	2	SUPPLY OF LABOR AND MATERIALS FOR THE DESIGN, FABRICATION, DELIVERY AND ON-SITE INSTALLATION, TESTING AND COMMISSIONING OF EQUIPMENT AND MACHINERIES FOR 4 SETS OF WHITE COPRA-COOKING OIL PROCESSING CENTER IN CALUBE, SULTAN, NAGA DIMAPORO, LANA DEL NORTE; LIBUNGAN, NORTH COTABATO; KATIPUNAN, PANABO CITY, DAVAO DEL NORTE; AND POBLACION, PRES. ROXAS, NORTH COTABATO	41,384,000.00
19.4	<i>Service of pertinent notices related to this bidding through Electronic Mail (e-mail) to the email address provided by the bidder shall be tantamount to proof of actual service and shall be deemed received by the bidder on the date of service or email.</i>		
20.2	<i>“No Additional Requirement”</i>		
21.1	<i>“No Additional Requirement”</i>		

Section IV. General Conditions of Contract

1. Scope of Contract

This Contract shall include all such items, although not specifically mentioned, that can be reasonably inferred as being required for its completion as if such items were expressly mentioned herein. All the provisions of RA No. 9184 and its 2016 revised IRR, including the Generic Procurement Manual, and associated issuances, constitute the primary source for the terms and conditions of the Contract, and thus, applicable in contract implementation. Herein clauses shall serve as the secondary source for the terms and conditions of the Contract.

This is without prejudice to Sections 74.1 and 74.2 of the 2016 revised IRR of RA No. 9184 allowing the GPPB to amend the IRR, which shall be applied to all procurement activities, the advertisement, posting, or invitation of which were issued after the effectivity of the said amendment.

Additional requirements for the completion of this Contract shall be provided in the **Special Conditions of Contract (SCC)**.

2. Advance Payment and Terms of Payment

2.1. Advance payment of the contract amount is provided under Annex “D” of the revised 2016 IRR of RA No. 9184.

2.2. The Procuring Entity is allowed to determine the terms of payment on the partial or staggered delivery of the Goods procured, provided such partial payment shall correspond to the value of the goods delivered and accepted in accordance with prevailing accounting and auditing rules and regulations. The terms of payment are indicated in the **SCC**.

3. Performance Security

Within ten (10) calendar days from receipt of the Notice of Award by the Bidder from the Procuring Entity but in no case later than prior to the signing of the Contract by both parties, the successful Bidder shall furnish the performance security in any of the forms prescribed in Section 39 of the 2016 revised IRR of RA No. 9184

4. Inspection and Tests

The Procuring Entity or its representative shall have the right to inspect and/or to test the Goods to confirm their conformity to the Project specifications at no extra cost to the Procuring Entity in accordance with the Generic Procurement Manual. In addition to tests in the **SCC, Section VII (Technical Specifications)** shall specify what inspections and/or tests the Procuring Entity requires, and where they are to be conducted. The Procuring Entity shall notify the Supplier in writing, in a timely manner, of the identity of any representatives retained for these purposes.

All reasonable facilities and assistance for the inspection and testing of Goods, including access to drawings and production data, shall be provided by the Supplier to the authorized inspectors at no charge to the Procuring Entity.

5. Warranty

- 5.1 In order to assure that manufacturing defects shall be corrected by the Supplier, a warranty shall be required from the Supplier as provided under Section 62.1 of the 2016 revised IRR of RA No. 9184.
- 5.2 The Procuring Entity shall promptly notify the Supplier in writing of any claims arising under this warranty. Upon receipt of such notice, the Supplier shall, repair or replace the defective Goods or parts thereof without cost to the Procuring Entity, pursuant to the Generic Procurement Manual.

6. Liability of the Supplier

The Supplier's liability under this Contract shall be as provided by the laws of the Republic of the Philippines.

If the Supplier is a joint venture, all partners to the joint venture shall be jointly and severally liable to the Procuring Entity.

Section V. Special Conditions of Contract

Special Conditions of Contract

GCC Clause	
1	<p>Delivery and Documents –</p> <p>For purposes of the Contract, “EXW,” “FOB,” “FCA,” “CIF,” “CIP,” “DDP” and other trade terms used to describe the obligations of the parties shall have the meanings assigned to them by the current edition of INCOTERMS published by the International Chamber of Commerce, Paris. The Delivery terms of this Contract shall be as follows:</p> <p>“The delivery terms applicable to this Contract are delivered <i>at Pawa, Boac, Marinduque; San Lorenzo, Guimaras; Daro, Jaro, Leyte; Calube, Sultan, Naga Dimaporo, Lanao Del Norte; Libungan, North Cotabato; Katipunan, Panabo City, Davao Del Norte; and Poblacion, Pres. Roxas, North Cotabato.</i> Risk and title will pass from the Supplier to the Procuring Entity upon receipt and final acceptance of the Goods at their final destination.”</p> <p>Delivery of the Goods shall be made by the Supplier in accordance with the terms specified in Section VI (Schedule of Requirements).</p> <p>For purposes of this Clause, the Procuring Entity’s Representative at the Project Sites is Andres M. Tuates Jr., Ph.D., BPED Acting Chief</p> <p>Incidental Services –</p> <p>The Supplier is required to provide all of the following services, including additional services, if any, specified in Section VI. Schedule of Requirements: performance or supervision of on-site assembly and/or start-up of the supplied Goods;</p> <ol style="list-style-type: none"> a. performance or supervision of on-site assembly and/or start-up of the supplied Goods; b. Furnishing of tools required for assembly and/or maintenance of the supplied Goods; c. Furnishing of a detailed operations and maintenance manual for each appropriate unit of the supplied Goods; d. Performance or supervision or maintenance and/or repair of the supplied Goods, for a period of time agreed by the parties, provided that this service shall not relieve the Supplier of any warranty obligations under this Contract; and

- e. Training of the Procuring Entity’s recipients, at the delivery site, on assembly, start-up, operation, maintenance, and/or basic repair of the supplied processing equipment and machineries.
- f. Provision of 5,000 de-husked matured coconut samples for testing.
- g. Furnishing of all other services required for compliance with the technical specifications.

The Contract price for the Goods shall include the prices charged by the Supplier for incidental services and shall not exceed the prevailing rates charged to other parties by the Supplier for similar services.

Spare Parts –

The Supplier is required to provide all of the following materials, notifications, and information pertaining to spare parts manufactured or distributed by the Supplier:

- a. such spare parts as the Procuring Entity may elect to purchase from the Supplier, provided that this election shall not relieve the Supplier of any warranty obligations under this Contract; and

- b. in the event of termination of production of the spare parts:

- i. advance notification to the Procuring Entity of the pending termination, in sufficient time to permit the Procuring Entity to procure needed requirements; and
- ii. following such termination, furnishing at no cost to the Procuring Entity, the blueprints, drawings, and specifications of the spare parts, if requested.

The spare parts and other components required are listed in **Section VI (Schedule of Requirements)** and the cost thereof are included in the contract price.

The Supplier shall carry sufficient inventories to assure ex-stock supply of consumable spare parts or components for the Goods for a period of [*indicate here the time period specified. If not used indicate a time period of three times the warranty period*].

Spare parts or components shall be supplied as promptly as possible, but in any case, within one month of placing the order.

Packaging –

The Supplier shall provide such packaging of the Goods as is required to prevent their damage or deterioration during transit to their final destination, as indicated in this Contract. The packaging shall be sufficient to withstand, without limitation, rough handling during transit and exposure to extreme temperatures,

	<p>salt and precipitation during transit, and open storage. Packaging case size and weights shall take into consideration, where appropriate, the remoteness of the Goods' final destination and the absence of heavy handling facilities at all points in transit.</p> <p>The packaging, marking, and documentation within and outside the packages shall comply strictly with such special requirements as shall be expressly provided for in the Contract, including additional requirements, if any, specified below, and in any subsequent instructions ordered by the Procuring Entity.</p> <p>The outer packaging must be clearly marked on at least four (4) sides as follows:</p> <p>Name of the Procuring Entity Name of the Supplier Contract Description Final Destination Gross weight Any special lifting instructions Any special handling instructions Any relevant HAZCHEM classifications</p>
	<p>A packaging list identifying the contents and quantities of the package is to be placed on an accessible point of the outer packaging if practical. If not practical the packaging list is to be placed inside the outer packaging but outside the secondary packaging.</p> <p>Transportation – Where the Supplier is required under Contract to deliver the Goods CIF, CIP, or DDP, transport of the Goods to the port of destination or such other named place of destination in the Philippines, as shall be specified in this Contract, shall be arranged and paid for by the Supplier, and the cost thereof shall be included in the Contract Price.</p> <p>Where the Supplier is required under this Contract to transport the Goods to a specified place of destination within the Philippines, defined as the Project Site, transport to such place of destination in the Philippines, including insurance and storage, as shall be specified in this Contract, shall be arranged by the Supplier, and related costs shall be included in the contract price.</p>
	<p>Where the Supplier is required under Contract to deliver the Goods CIF, CIP or DDP, Goods are to be transported on carriers of Philippine registry. In the event that no carrier of Philippine registry is available, Goods may be shipped by a carrier which is not of Philippine registry provided that the Supplier obtains and presents to the Procuring Entity certification to this effect from the nearest Philippine consulate to the port of dispatch. In the event that carriers of Philippine registry are available but their schedule delays the Supplier in its performance of this Contract the period from when the Goods were first ready</p>

	<p>for shipment and the actual date of shipment the period of delay will be considered force majeure.</p> <p>The Procuring Entity accepts no liability for the damage of Goods during transit other than those prescribed by INCOTERMS for DDP deliveries. In the case of Goods supplied from within the Philippines or supplied by domestic Suppliers risk and title will not be deemed to have passed to the Procuring Entity until their receipt and final acceptance at the final destination.</p> <p>Intellectual Property Rights – The Supplier shall indemnify the Procuring Entity against all third-party claims of infringement of patent, trademark, or industrial design rights arising from use of the Goods or any part thereof.</p>
2.2	<p>The terms of payment shall be as follows:</p> <p>a) One Hundred percent (100%) of the Contract Price: upon One Hundred Percent (100%) completion of the project and submission of required documents.</p>
4	<p>All goods delivered under this contract shall be subject to the following test:</p> <ul style="list-style-type: none"> • Technical inspection to determine their order and condition, quantity, compliance with the technical specifications and all other contract requirements; • Operational test upon delivery on-site; • Performance testing. <p>Prior notice of the schedule of such tests or inspections, written or verbal, will be given to the authorized representative of the Supplier. The inspection will push through as scheduled even in the absence of the Supplier’s representative, if the latter was duly notified, in which case, the results of the inspection conducted by the procuring Entity shall be final and binding upon the Supplier.</p>
5.1	<p>The Procuring Entity’s address for notice is bac@philmech.gov.ph</p> <p>The Bidder’s address for notice is the e-mail address indicated in the bidder’s Omnibus Sworn Statement (OSS)</p> <p>Service of pertinent notices related to this bidding through Electronic Mail (e-mail) to the email address provided by the bidder in the OSS shall be tantamount to proof of actual service and shall be deemed received by the bidder on the date of service or email.</p>

Section VI. Schedule of Requirements

**RE: SUPPLY OF LABOR AND MATERIALS FOR THE DESIGN, FABRICATION, DELIVERY AND ON-SITE INSTALLATION, TESTING AND COMMISSIONING OF EQUIPMENT AND MACHINERIES FOR WHITE COPRA-COOKING OIL PROCESSING CENTER
(PhilMech-Goods-23-07-12)**

<p style="text-align: center;">Lot no/s. being bid:</p> <hr style="width: 80%; margin: 10px auto;"/>	<p style="text-align: center;">Name and Signature of Authorized Representative:</p> <hr style="width: 80%; margin: 10px auto;"/>
-------------------------------------------------------------------------------------------------------------	-----------------------------------------------------------------------------------------------------------------------------------------

The delivery schedule expressed as weeks/months stipulates hereafter a delivery date which is the date of delivery to the project site.

Item Number (LOT No.)	Project Title	Delivered, Weeks/Months
1	SUPPLY OF LABOR AND MATERIALS FOR THE DESIGN, FABRICATION, DELIVERY AND ON-SITE INSTALLATION, TESTING AND COMMISSIONING OF EQUIPMENT AND MACHINERIES FOR 3 SETS OF WHITE COPRA-COOKING OIL PROCESSING CENTER IN PAWA, BOAC, MARINDUQUE; SAN LORENZO, GUIMARAS; AND DARO, JARO, LEYTE	120CD
2	SUPPLY OF LABOR AND MATERIALS FOR THE DESIGN, FABRICATION, DELIVERY AND ON-SITE INSTALLATION, TESTING AND COMMISSIONING OF EQUIPMENT AND MACHINERIES FOR 4 SETS OF WHITE COPRA-COOKING OIL PROCESSING CENTER IN CALUBE, SULTAN, NAGA DIMAPORO, LANA DEL NORTE; LIBUNGAN, NORTH COTABATO; KATIPUNAN, PANABO CITY, DAVAO DEL NORTE; AND POBLACION, PRES. ROXAS, NORTH COTABATO	120CD

Signature over Printed Name of Bidder

Position/Designation

(Name, Address & Tel. No. of Company)

Date

Section VII. Technical Specifications

Technical Specifications

RE: SUPPLY OF LABOR AND MATERIALS FOR THE DESIGN, FABRICATION, DELIVERY, AND ON-SITE INSTALLATION, TESTING AND COMMISSIONING OF EQUIPMENT AND MACHINERIES FOR WHITE COPRA-COOKING OIL PROCESSING CENTER (PHilMech-Goods-23-07-12)

<p style="text-align: center;">Lot no/s. being bid:</p> <hr style="width: 80%; margin: 10px auto;"/>	<p style="text-align: center;">Name and Signature of Authorized Representative:</p> <hr style="width: 80%; margin: 10px auto;"/>
-------------------------------------------------------------------------------------------------------------	-----------------------------------------------------------------------------------------------------------------------------------------

<p>SPECIFICATION</p>	<p style="text-align: center;">Statement of Compliance*</p> <p>Bidders must state here either “Comply” or “Not Comply” against each of the individual parameters of each Specification stating the corresponding performance parameter of the equipment offered. Statements of “Comply” or “Not Comply” must be supported by evidence in a Bidders Bid and cross-referenced to that evidence. Evidence shall be in the form of manufacturer’s un-amended sales literature, unconditional statements of specification and compliance issued by the manufacturer, samples, independent test data etc., as appropriate. A statement that is not supported by evidence or is subsequently found to be contradicted by the evidence presented will render the Bid under evaluation liable for rejection. A statement either in the Bidders statement of compliance or the supporting evidence that is found to be false either during Bid evaluation, post-qualification or the execution of the Contract may be regarded as fraudulent and render the Bidder or supplier liable for prosecution subject to the provisions of ITB Clause 3.1(a)(ii) and/or GCC Clause 2.1(a)(ii).</p>
<p>SUPPLY OF LABOR AND MATERIALS FOR THE DESIGN, FABRICATION, DELIVERY AND ON-SITE INSTALLATION, TESTING AND COMMISSIONING OF EQUIPMENT AND MACHINERIES FOR WHITE COPRA-COOKING OIL PROCESSING CENTER IN SAN LORENZO, GUIMARAS; CALUBE, SULTAN, NAGA DIMAPORO, LANA DEL NORTE; AND LIBUNGAN, NORTH COTABATO COMPRISE OF THE FOLLOWING:</p>	
<p>1) 5 units Dehusking Tool</p>	
<p>Type: Manual</p>	

Material: stainless steel	
2) 2 units Flat Bed Dryer	
Technical Specifications:	
Holding capacity: 5 tons (10,000 split nuts)	
Construction:	
Drying Bin	
- Manufacturer standard; provided that the dryer could accommodate the 10,000 split nuts	
- Side walls: Stainless Steel sheet 304	
- Bed flooring: SS 304 perforated sheet floor having 0.75 mm diameter perforation; and 1.0 mm thickness	
- The perforated flooring must have a rigid support that could withstand the full load capacity of the Dryer	
- With serviceable cleaning bottom port	
- The entire flatbed unit is securely bolted	
Heating system	
- Biomass fuel: Indirect-fired	
- Heating system efficiency: 50%, minimum	
- Heat exchanger: Fire tubes	
- Drying temperature: 60oC minimum	
Blower	
- Blower: Tube axial fan w/ not less than 10,500 cfm and with 30 mm water static pressure	
- All steel construction made of heavy gauge material	
- Dynamically balance	
- Should be painted finish, with rust-proofing primer and final paint color is powdered coated	
Engine	
- Driven by 12.0hp diesel engine, water cooled, single cylinder type, manual/hand cracked starting	
- Both engine and the machine must be brand new, latest model and not rebranded /renamed	
*With temperature gauge (dial type thermometer)	
Product Quality	

- Moisture content (Grade 1): 6-8%	
- Oil Recovery (%min): 62	
- Fatty acid: as oleic, % max.): 0.5	
- Color of meat: clean, white to pale yellow	
- Aflatoxin level (ppb, max): 5	
- Other specifications: free from smoke and other contaminants	
* Laboratory analysis for finished product	
3) 1 unit Copra Moisture Meter	
- handheld	
- Resistance type	
- Measurement Range: 3 to 20% minimum	
- Measurement Precision: 0.4% (moisture values of 10% or lower)	
- Display: Digital (LCD)	
- Resolution: 0.1%	
- Operating Temperature Range: 0 to 40°C	
- Functions: Moisture %, bias adjustment (-9.9 to + 9.9%), averaging, Upper limit alarm, Automatic temperature compensation, Auto power off	
- Power Supply: battery	
- Power Consumption: approximately 0.45 W	
4) 2 units Coconut Water Extractor (similar to figure 1)	
- Made of stainless steel 304	
- With 4 heavy duty caster wheels, 4 inch diameter (2 swivel with dual locking and 2 swivel without locking)	
- Primemover: 2hp electric motor, single phase 220V	
- with 4 casterwheels 4in diameter	
- with heavy duty drill bit (SS 304) 12mm diameter, safety guard fixed back to back both sides of the extractor unit	
- with pre-holding tank underneath with SS piping and valves	
- 0.5hp transfer pump (food grade)	

5) 1 unit Belt conveyor	
Unloading Conveyor:	
- Size (LxWxH): 300cm x 60cm x 100cm	
- Capacity: 1ton/hr	
- Power: 3/4hp	
- Frame: made of stainless steel	
- Belt material: Rubber	
- Can be inclined at a certain degree	
1 Unit Loading Conveyor:	
- Size (LxWxH): 340cm x 60cm x 220cm	
- Capacity: 1ton/hr	
- Power: 3/4hp	
- Frame: made of stainless steel	
- Belt material: Rubber	
- Can be inclined at a certain degree	
6) 6 units Hauling Cart (similar to figure 2)	
- Hauling Capacity: 80nuts minimum	
- No. of wheels: 4 heavy duty caster wheels 4 inch diameter (2 swivel with dual locking and 2 swivel without locking)	
- Materials: stainless steel frames	
- Dimension: 100cm x 70cm x 80cm	
7) 2 units Bagging Bin (similar to figure 3)	
- Capacity: 200kg minimum	
- Hopper Length: 100cm	
- Hopper Width: 100cm	
- O/A Height: 160cm	
- Height to loading lip of hopper: 197cm	
- frame:80cm x 80cm box section	
- hopper: 38cm x 38cm	
- Material: stainless steel sheet	
**with 4 heavy duty caster wheels, 8in diameter (2 swivel with dual locking and 2 swivel without locking)	
- Material: Polyurethane	
8) 3 units Holding bin (similar to figure 4)	
- Holding capacity: 3,400 pre-dried splitnuts w/ shell minimum	
- Material: Stainless steel 304	
- load capacity: 1400kg minimum	

- with 6 heavy duty casterwheels 8in diameter (3 swivel with dual locking and 3 swivel without locking)	
9) 2 units Weighing scale	
- Digital readout	
- 500kg minimum capacity	
- accurate to ± 0.2 grams	
- Power supply: electrical operated	
10) 30 units Heavy duty Plastic Crates	
- Capacity: 25nuts capacity	
- made of HDPE material	
11) 5 units Holding Tank for Cocowater	
- Cylindrical	
- made of Stainless Steel sheet 304	
- Capacity:2000L	
- With compatible stand	
- Tapered bottom w/ outlet	
12) 1 unit Copra cutter/chipper	
- Material: stainless steel	
- Capacity: 300 kg copra/hr minimum	
- Weight: 200kg minimum	
- Electric Motor: 4hp	
13) 1 unit Oil expeller	
- Output Capacity: 125 kg/hr minimum	
- Volume: 1.60 m3	
- Electric motor: 10hp	
- Chamber size: 22in x 4in	
- chamber: made of stainless steel	
- cake thickness: adjustable	
14) 6 units Receiving Cylindrical tank	
- 800 L/tank minimum	
- made of stainless steel sheet 304	
- pump: 1hp, 220V, 3phase, 50Hz with interconnecting SS piping & fittings from the receiving tank to holding tank	
15) 1 unit Filter press	
- Capacity: 100L/hr minimum	
- Plate size: 16in x 16in	
- Number of plates: 16	

- Feed pump hp: 1.5hp	
16) 2 units Coconut oil tank	
- 1.6m height and 1m diameter	
Made of SS material	
- 1600L minimum	
- pump: 1hp, 220V, 3phase, 50Hz	
17) 1 unit Oil refining machine	
- capacity: 1000kg per day minimum	
- Tank diameter: 700mm	
- Size: 4500*1500*2500mm	
- Total Power : 49.3kw	
- Tank : 4 tanks	
- Voltage : 220V 60hz 3P	
With the following accessories:	
17.1 Frame oil filter	
- Capacity : 200-400kg/h	
- Power : 1.5kw	
- Frame filter: 8pcs	
- Size: 1000*800*1100mm	
- Weight: 200kg	
17.2 Stream generator	
*for oil refining machine	
17.3 Controller	
*for oil refining machine	
17.4 Pipe	
*for tank connecting	
17.5 Bleach earth	
*25 kg per bag	
18) 1 unit Automatic Liquid Filling Machine	
- Filling Nozzles: 4	
- Filling range: 10 to 1000ml	
- Voltage: 220V/60Hz	
- Filling Speed: 480-1200 btl/hr	
- Material: Stainless Steel 304	
- Filling Precision: $\pm 1\%$	
- with 2m length conveyor	
19) 3 units Transformer	
- Transformer, Pole type, 50KVA, 23KV, 3Phase, Cu-Cu Winding	
With other technical requirements:	
*fully matured coconut samples, labor, and other materials for test and commissioning	

to be provided by the winning bidder	
*With 1 set of manufacturer's standard tools, Heavy Duty Toolbox and accessories required for maintenance	
Provision of after sales services:	
- One (1) year warranty for services and parts due to manufacturing defects upon acceptance	
- Certification of having at least two (2) technicians/personnel trained by the bidder on the operation, repair and maintenance of the copra dryer and other equipment (all engine and motor powered)	
- Provision of training on the proper handling, operation and maintenance of the unit for at least two (2) operators per beneficiary	
- Certification of guaranteed spare parts availability for at least five (5) years for engine/motor powered components	

<p>SPECIFICATION</p>	<p style="text-align: center;">Statement of Compliance*</p> <p>Bidders must state here either “Comply” or “Not Comply” against each of the individual parameters of each Specification stating the corresponding performance parameter of the equipment offered. Statements of “Comply” or “Not Comply” must be supported by evidence in a Bidders Bid and cross-referenced to that evidence. Evidence shall be in the form of manufacturer’s un-amended sales literature, unconditional statements of specification and compliance issued by the manufacturer, samples, independent test data etc., as appropriate. A statement that is not supported by evidence or is subsequently found to be contradicted by the evidence presented will render the Bid under evaluation liable for rejection. A statement either in the Bidders statement of compliance or the supporting evidence that is found to be false either during Bid evaluation, post-qualification or the execution of the Contract may be regarded as fraudulent and render the Bidder or supplier liable for prosecution subject to the provisions of ITB Clause 3.1(a)(ii) and/or GCC Clause 2.1(a)(ii).</p>
<p>SUPPLY OF LABOR AND MATERIALS FOR THE DESIGN, FABRICATION, DELIVERY AND ON-SITE INSTALLATION, TESTING AND COMMISSIONING OF EQUIPMENT AND MACHINERIES FOR WHITE COPRA-COOKING OIL PROCESSING CENTER IN PAWA, BOAC, MARINDUQUE; KATIPUNAN, PANABO CITY, DAVAO DEL NORTE AND POBLACION, PRES. ROXAS, NORTH COTABATO; DARO, JARO, LEYTE COMPRISE OF THE FOLLOWING:</p>	
<p>1) 2 units Flat Bed Dryer</p>	
<p>Technical Specifications:</p>	
<ul style="list-style-type: none"> - Holding capacity: 5 tons (10,000split nuts) 	
<p>Construction:</p>	
<p>Drying Bin</p>	
<ul style="list-style-type: none"> - Manufacturer standard; provided that the dryer could accommodate the 10,000 split nuts 	
<ul style="list-style-type: none"> - Side walls: Stainless Steel sheet 304 	
<ul style="list-style-type: none"> - Bed flooring: SS 304 perforated sheet floor having 0.75 mm diameter perforation; and 1.0 mm thickness 	

- The perforated flooring must have a rigid support that could withstand the full load capacity of the Dryer	
- With serviceable cleaning bottom port	
- The entire flatbed unit is securely bolted	
Heating system	
- Biomass fuel: Indirect-fired	
- Heating system efficiency: 50%, minimum	
- Heat exchanger: Fire tubes	
- Drying temperature: 60oC minimum	
Blower	
- Blower: Tube axial fan w/ not less than 10,500 cfm and with 30 mm water static pressure	
- All steel construction made of heavy gauge material	
- Dynamically balance	
- Should be painted finish, with rust-proofing primer and final paint color is powdered coated	
Engine	
- Driven by 12.0hp diesel engine, water cooled, single cylinder type, manual/hand cracked starting	
- Both engine and the machine must be brand new, latest model and not rebranded/renamed	
*With temperature gauge (dial type thermometer)	
Product Quality	
- Moisture content (Grade 1): 6-8%	
- Oil Recovery (%min):62	
- Fatty acid: as oleic, % max.): 0.5	
- Color of meat: clean, white to pale yellow	
- Aflatoxin level (ppb, max): 5	
- Other specifications: free from smoke and other contaminants	
*Laboratory analysis for finished product	

2) 1 unit Copra Moisture Meter	
- handheld	
- Resistance type	
- Measurement Range: 3 to 20% minimum	
- Measurement Precision: 0.4% (moisture values of 10% or lower)	
- Display: Digital (LCD)	
- Resolution: 0.1%	
- Operating Temperature Range: 0 to 40°C	
- Functions: Moisture %, bias adjustment (-9.9 to + 9.9%), averaging, Upper limit alarm, Automatic temperature compensation, Auto power off	
- Power Supply: battery	
- Power Consumption: approximately 0.45 W	
3) 2 units Coconut Water Extractor (similar to figure 1)	
- Made of stainless steel 304	
- With 4 heavy duty caster wheels, 4 inch diameter (2 swivel with dual locking and 2 swivel without locking)	
- Primemover: 2hp electric motor, single phase 220V	
- with 4 casterwheels 4in diameter	
- with heavy duty drill bit (SS 304) 12mm diameter, safety guard fixed back to back both sides of the extractor unit	
- with pre-holding tank underneath with SS piping and valves	
- continuous Stainless steel304, piping size diameter of 3/8in from extractor to each of the 5 cocowater holding tank using the transfer pump	
- 0.5hp transfer pump (food grade)	
4) 1 unit Belt conveyer	
Unloading Conveyor:	
- Size (LxWxH):300cm x 60cm x 100cm	
- Capacity: 1ton/hr	
- Power: 3/4hp	
- Frame: made of stainless steel	

- Belt material: Rubber	
- Can be inclined at a certain degree	
Loading Conveyor:	
- Size (LxWxH): 340cm x 60cm x 220cm	
- Capacity: 1ton/hr	
- Power: 3/4hp	
- Frame: made of stainless steel	
- Belt material: Rubber	
- Can be inclined at a certain degree	
5) 6 units Hauling Cart (similar to figure 2)	
- Hauling Capacity: 80nuts minimum	
- No. of wheels: 4 heavy duty caster wheels 4 inch diameter (2 swivel with dual locking and 2 swivel without locking)	
- Materials: stainless steel frames	
- Dimension: 100cm x 70cm x 80cm	
6) 2 units Bagging Bin (similar to figure 3)	
- Capacity: 200kg minimum	
- Hopper Length: 100cm	
- Hopper Width: 100cm	
- O/A Height: 160cm	
- Height to loading lip of hopper: 197cm	
- frame:80cm x 80cm box section	
- hopper: 38cm x 38cm	
- Material: stainless steel sheet	
*with 4 heavy duty caster wheels, 8in diameter (2 swivel with dual locking and 2 swivel without locking)	
- Material: Polyurethane	
7) 3 units Holding bin (similar to figure 4)	
- Holding capacity: 3,400 pre-dried splitnuts w/ shell minimum	
- Material: Stainless steel 304	
- load capacity: 1400kg minimum	
- with 6 heavy duty casterwheels 8in diameter (3 swivel with dual locking and 3 swivel without locking)	
8) 2 units Weighing scale	
- Digital readout	
- 500kg minimum capacity	
- accurate to ± 0.2 grams	

- Power supply: electrical operated	
9) 30 units Heavy duty Plastic Crates	
- Capacity: 25nuts capacity	
- made of HDPE material	
10) 5 units Holding Tank for Cocowater	
- Cylindrical	
- made of Stainless Steel sheet 304	
- Capacity:2000L	
- With compatible stand	
- Tapered bottom w/ outlet	
11) 1 unit Copra cutter/chipper	
- Material: stainless steel	
- Capacity: 300 kg copra/hr minimum	
- Weight: 200kg minimum	
- Electric Motor: 4hp	
12) 1 unit Oil expeller	
- Output Capacity: 125 kg/hr minimum	
- Volume: 1.60 m3	
- Electric motor: 10hp	
- Chamber size: 22in x 4in	
- chamber: made of stainless steel	
- cake thickness: adjustable	
13) 6 units Receiving Cylindrical tank	
- 800 L/tank minimum	
- made of stainless steel sheet 304	
- pump: 1hp, 220V, 3phase, 50Hz with interconnecting SS piping & fittings from the receiving tank to holding tank	
14) 1 unit Filter press	
- Capacity: 100L/hr minimum	
- Plate size: 16in x 16in	
- Number of plates: 16	
- Feed pump hp: 1.5hp	
15) 2 units Coconut oil tank	
- 1.6m height and 1m diameter	
Made of SS material	
- 1600L minimum	
- pump: 1hp, 220V, 3phase, 50Hz	
16) 1 unit Oil refining machine	

- capacity: 1000kg per day minimum	
- Tank diameter: 700mm	
- Size: 4500*1500*2500mm	
- Total Power : 49.3 kw	
- Tank : 4 tanks	
- Voltage : 220V 60hz. 3P	
With the following accessories:	
16.1 Frame oil filter	
- Capacity: 200-400kg/h	
- Power: 1.5kw	
- Frame filter: 8pcs	
- Size : 1000*800*1100mm	
- Weight: 200kg	
16.2 Stream generator	
*for oil refining machine	
16.3 Controller	
*for oil refining machine	
16.4 Pipe	
*for tank connecting	
16.5 Bleach earth	
*25 kg per bag	
17) 1 unit Automatic Liquid Filling Machine	
- Filling Nozzles: 4	
- Filling range: 100 to 1000ml	
- Voltage: 220V/60Hz	
- Filling Speed: 480-1200 btl/hr	
- Material: Stainless Steel 304	
- Filling Precision: $\pm 1\%$	
- with 2m length conveyor	
18) 3 units Transformer	
- Transformer, Pole type, 50KVA, 23KV, 3Phase, Cu-Cu Winding	
With other technical requirements:	
*Mature Coconut samples (10-12 months old from inflorescence), labor, and other materials for test and commissioning to be provided by the winning bidder	
*With 1 set of manufacturer's standard tools, Heavy Duty Toolbox and accessories required for maintenance	
Provision of after sales services:	

- One (1) year warranty for services and parts due to manufacturing defects upon acceptance	
- Certification of having at least two (2) technicians/personnel trained by the bidder on the operation, repair and maintenance of the copra dryer and other equipment (all engine and motor powered	
- Provision of training on the proper handling, operation and maintenance of the unit for at least two (2) operators per beneficiary	
- Certification of guaranteed spare parts availability for at least five (5) years for engine/motor powered components	

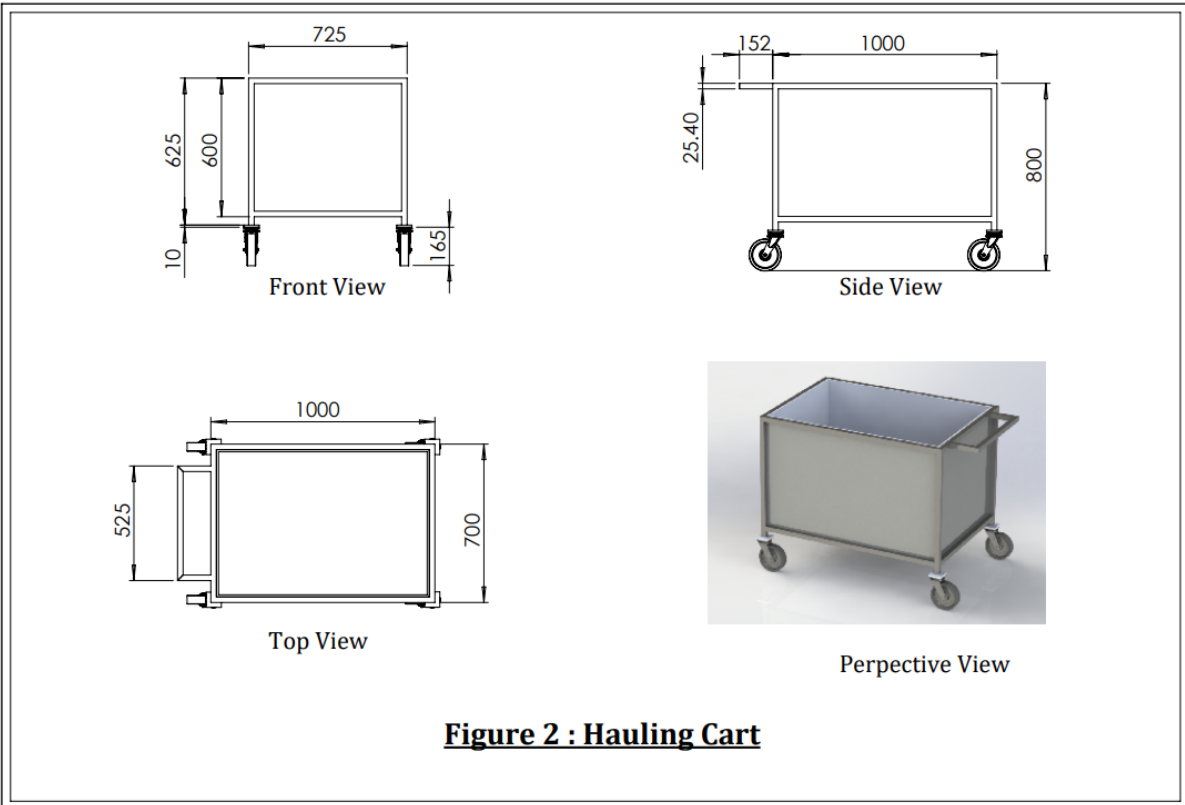
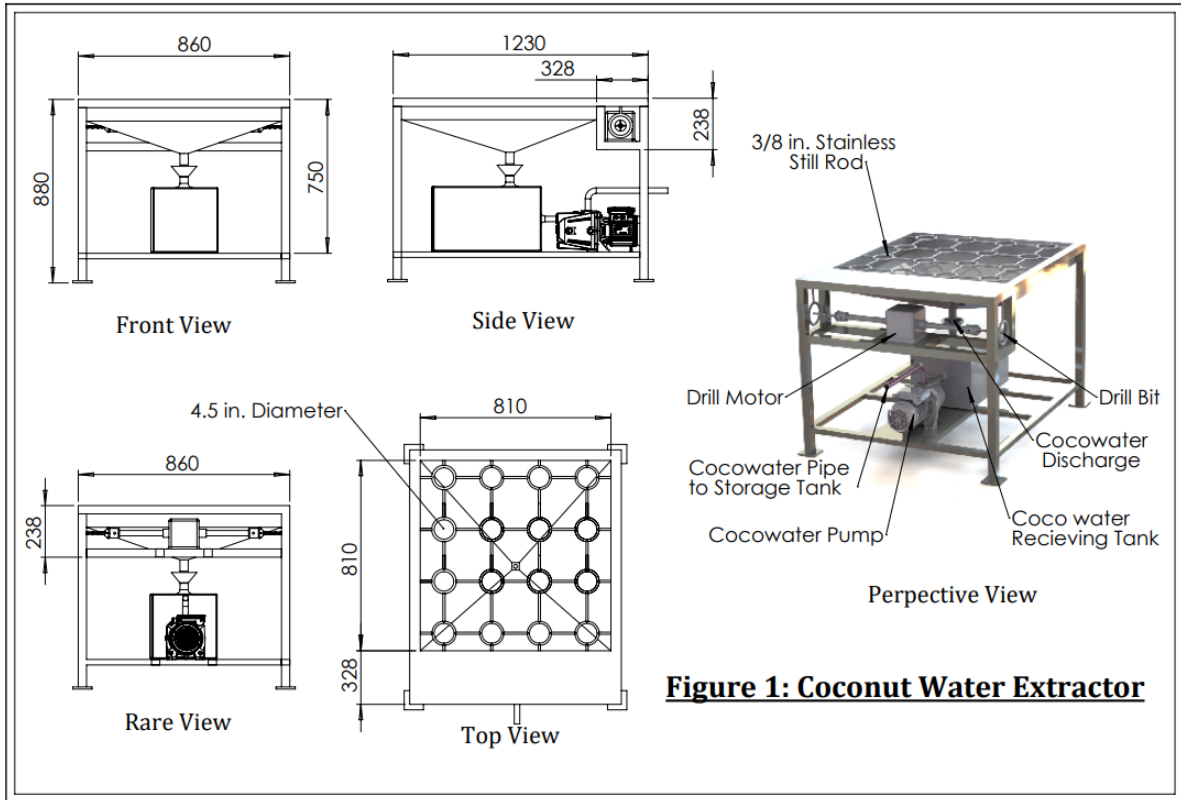
I hereby certify that the Statement of Compliance to the Foregoing Technical Specifications are true and correct, otherwise, if found false either during the bid evaluation or post-qualification, the same shall give rise to automatic disqualification of our bid.

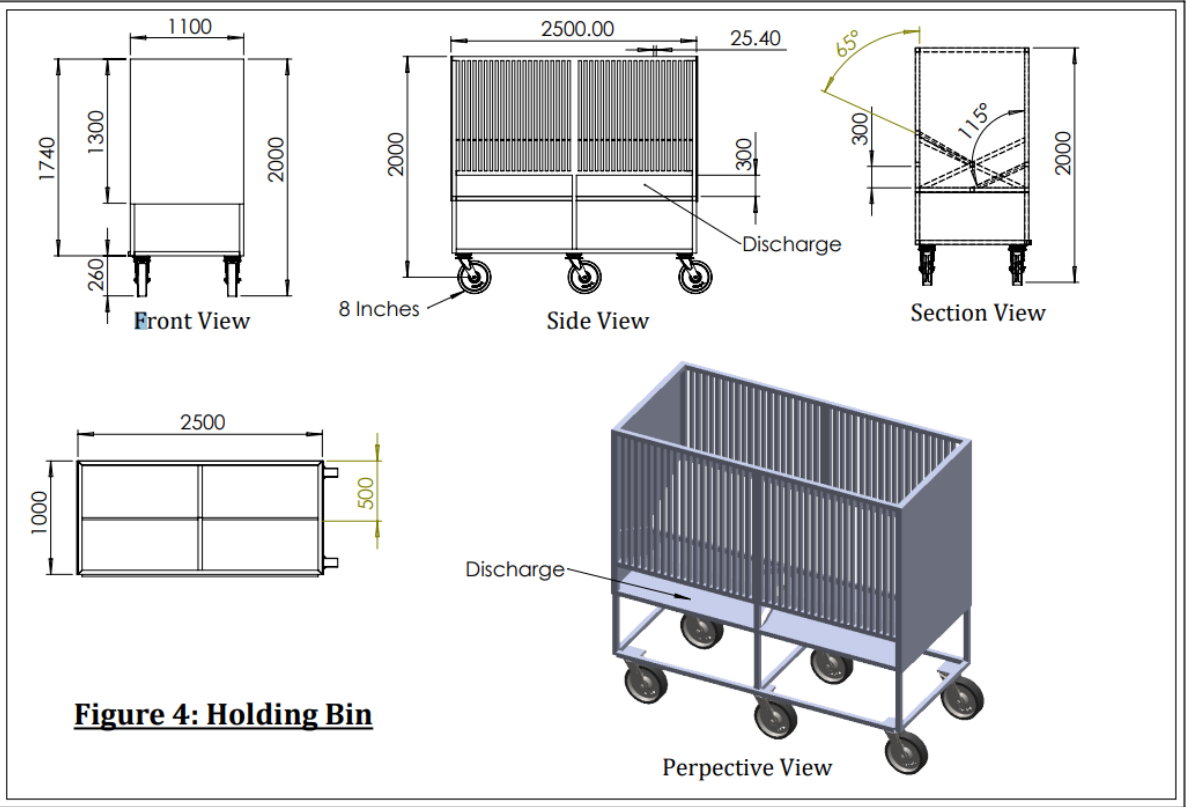
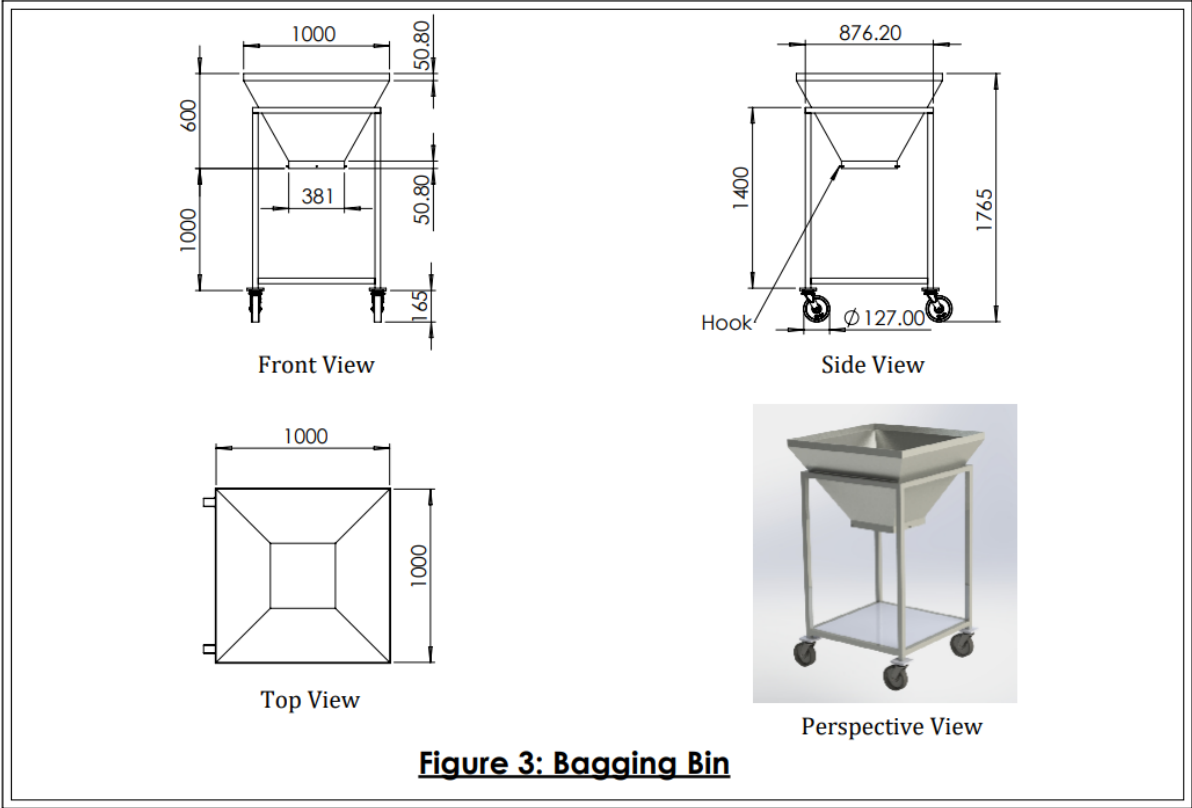
Signature over Printed Name of Bidder

Signed and Sealed* by: _____
Signature over Printed Name of
Agricultural Engineer or
Agricultural and Biosystems Engineer

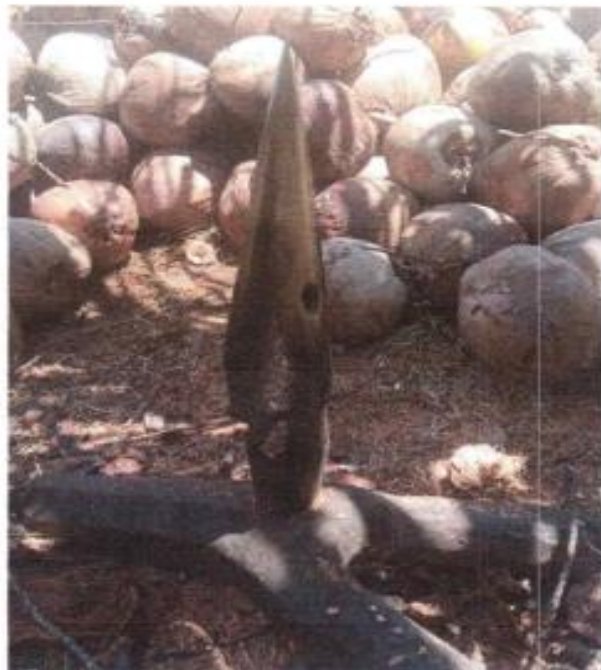
Position / Designation

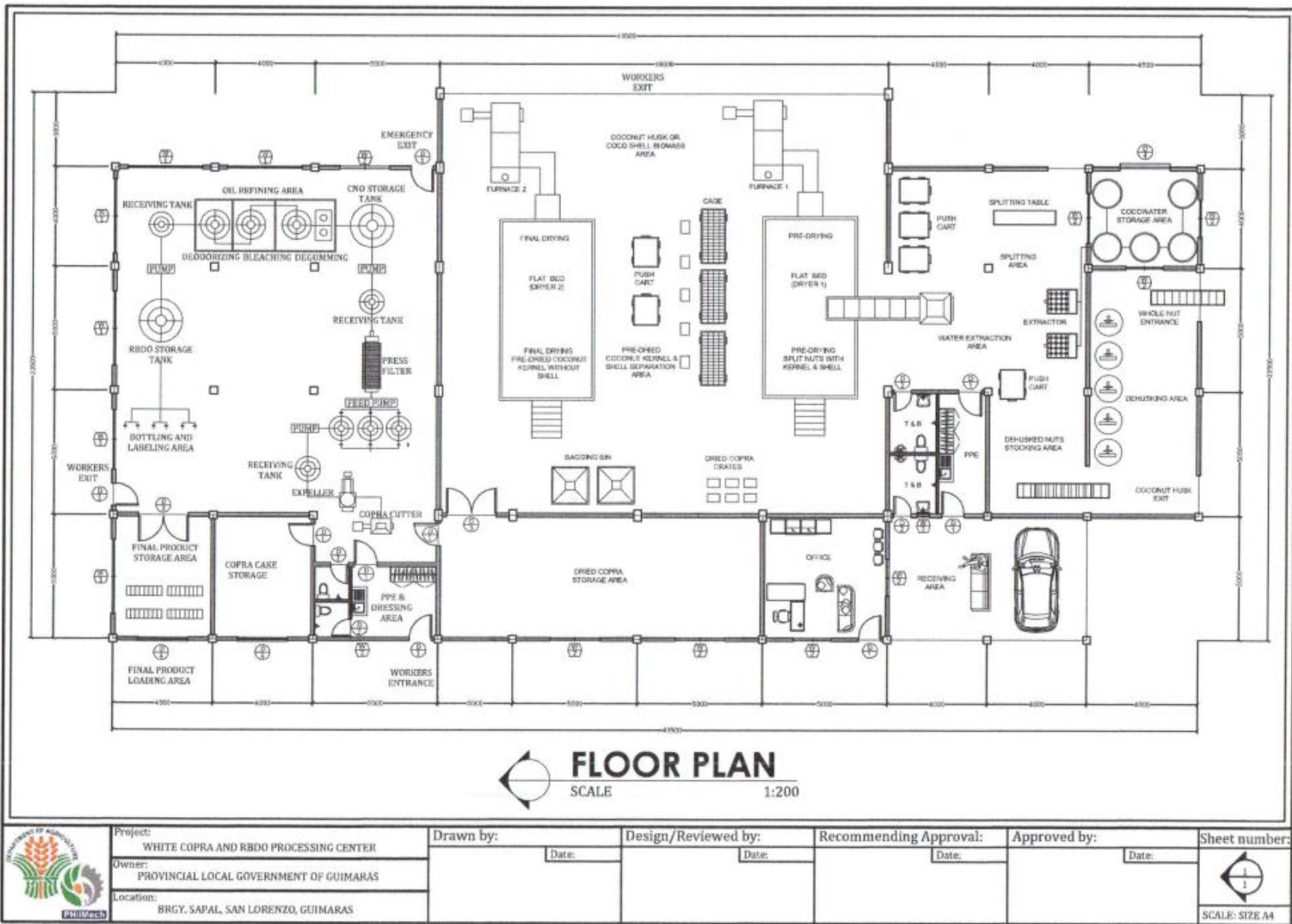
(Name, Address & Tel. No. of Company)





Manual Dehusking Tool

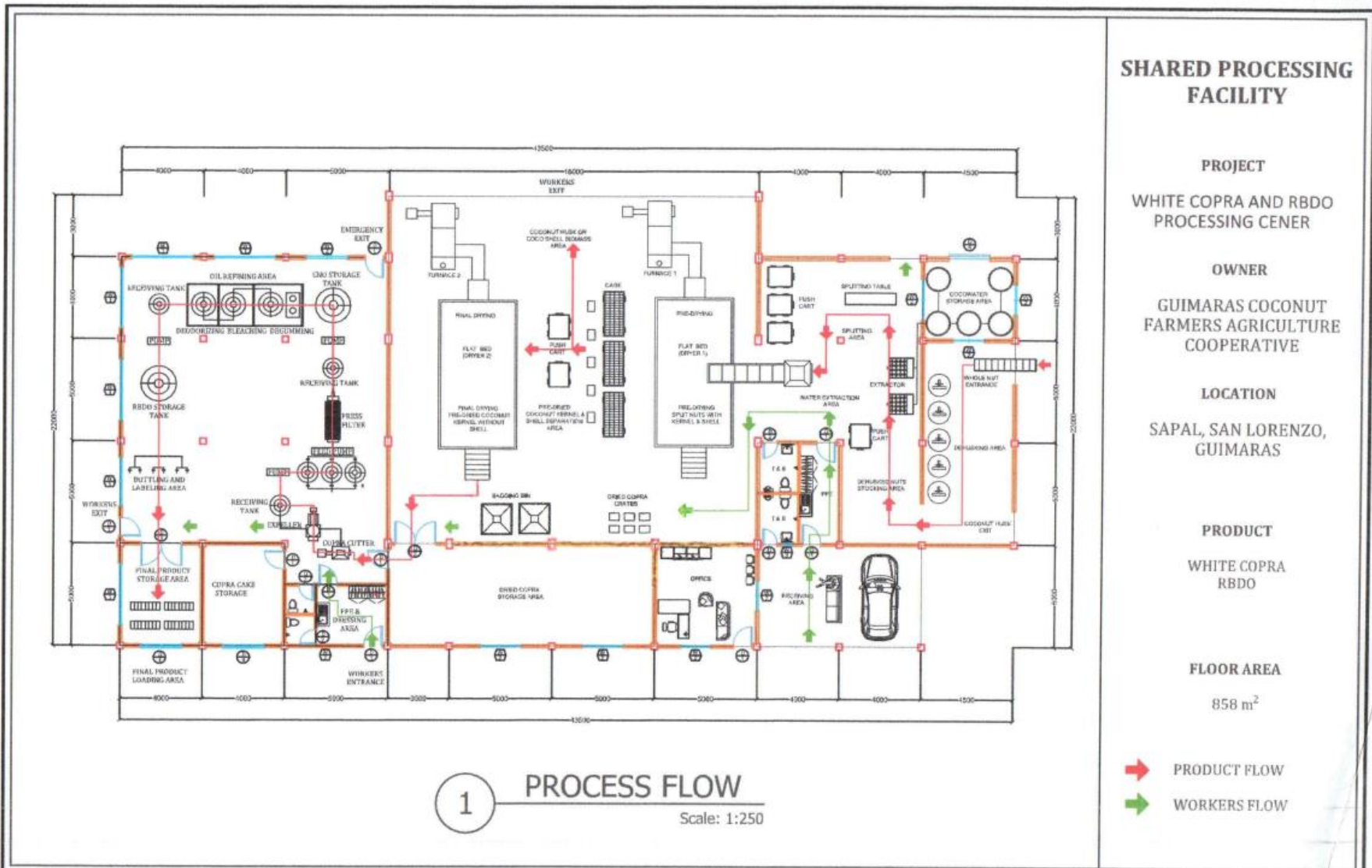




PhilMech-AM-F-002 Rev 00 (08.22.18)

“Read and accepted as part of the contract”

49
BIDDER'S SIGNATURE



SHARED PROCESSING FACILITY

PROJECT
 WHITE COPRA AND RBDO PROCESSING CENTER

OWNER
 GUIMARAS COCONUT FARMERS AGRICULTURE COOPERATIVE

LOCATION
 SAPAL, SAN LORENZO, GUIMARAS

PRODUCT
 WHITE COPRA
 RBDO

FLOOR AREA
 858 m²

➔ PRODUCT FLOW
 ➔ WORKERS FLOW

1 PROCESS FLOW
 Scale: 1:250

	Agency/Project Title: Department of Agriculture Philippine Center for Postharvest Development and Mechanization CLSU Compound, Science City of Muñoz, Nueva Ecija Tel: (044)456-0290 local 400	Drawn by: Date: 09/06/22	Design/Reviewed by: Date:	Recommending Approval: Date:	Approved by: Date: 09/06/22	Sheet number: SCALE: SIZE A3

“Read and accepted as part of the contract”

50
 BIDDER'S SIGNATURE

Section VIII. Checklist of Technical and Financial Documents

Checklist of Technical and Financial Documents

I. TECHNICAL COMPONENT ENVELOPE

Class “A” Documents

Legal Documents

- (a) Valid PhilGEPS Registration Certificate (Platinum Membership) (all pages) **in accordance with Section 8.5.2 of the IRR;**

Technical Documents

- (b) Statement of the prospective bidder of all its ongoing government and private contracts, including contracts awarded but not yet started **and/or delivered but not yet inspected and accepted**, if any, whether similar or not similar in nature and complexity to the contract to be bid; **and**
- (c) Statement of the bidder’s Single Largest Completed Contract (SLCC) similar to the contract to be bid, except under conditions provided for in Sections 23.4.1.3 and 23.4.2.4 of the 2016 revised IRR of RA No. 9184, within the relevant period as provided in the Bidding Documents; **and**
- (d) Original copy of Bid Security. If in the form of a Surety Bond, submit also a certification issued by the Insurance Commission;
or
Original copy of Notarized Bid Securing Declaration; **and**
- (e) Conformity with the Technical Specifications, which may include production/delivery schedule, manpower requirements, and/or after-sales/parts, if applicable; **and**
- (f) Schedule of Requirements; **and**
- (g) Original duly signed Omnibus Sworn Statement (OSS);
- (h) **and** if applicable, Original Notarized Secretary’s Certificate in case of a corporation, partnership, or cooperative; or Original Special Power of Attorney in case of sole proprietorship or for all members of the joint venture giving full power and authority to its officer to sign the OSS and do acts to represent the Bidder. Both the Secretary’s Certificate and Special Power of Attorney shall have specimen signature/s of the bidder’s authorized representative/s, which authorizes the representative/s to transact with PHilMech relative to the subject procurement process; to sign in all the required tender documents, including the authority to enter into a Joint Venture Agreement (JVA) (if applicable); and appoint the lead partner and representative of the JVA. If executed abroad, the same must be duly authenticated by the Philippine Consulate in the place of execution.

Financial Documents

- (i) The prospective bidder’s computation of Net Financial Contracting Capacity (NFCC);
or
A committed Line of Credit from a Universal or Commercial Bank in lieu of its NFCC computation.

Class “B” Documents

- (j) If applicable, a duly signed joint venture agreement (JVA) in case the joint venture is already in existence;
or

duly notarized statements from all the potential joint venture partners stating that they will enter into and abide by the provisions of the JVA in the instance that the bid is successful.

Other documentary requirements under RA No. 9184 (as applicable)

- (k) *[For foreign bidders claiming by reason of their country's extension of reciprocal rights to Filipinos]* Certification from the relevant government office of their country stating that Filipinos are allowed to participate in government procurement activities for the same item or product.
- (l) Certification from the DTI if the Bidder claims preference as a Domestic Bidder or Domestic Entity.

II. FINANCIAL COMPONENT ENVELOPE

- (a) Original of duly signed and accomplished Financial Bid Form; **and**
- (b) Original of duly signed and accomplished Price Schedule(s).

Bid Form for the Procurement of Goods
[shall be submitted with the Bid]

Bid Form (Lot No.)

Date : _____
Project Identification No. : _____

To: *[name and address of Procuring Entity]*

Having examined the Philippine Bidding Documents (PBDs) including the Supplemental or Bid Bulletin Numbers *[insert numbers]*, the receipt of which is hereby duly acknowledged, we, the undersigned, offer to *[supply/deliver/perform]* *[description of the Goods]* in conformity with the said PBDs for the sum of *[total Bid amount in words and figures]* or the total calculated bid price, as evaluated and corrected for computational errors, and other bid modifications in accordance with the Price Schedules attached herewith and made part of this Bid. The total bid price includes the cost of all taxes, such as, but not limited to: *[specify the applicable taxes, e.g. (i) value added tax (VAT), (ii) income tax, (iii) local taxes, and (iv) other fiscal levies and duties]*, which are itemized herein or in the Price Schedules,

If our Bid is accepted, we undertake:

- a. to deliver the goods in accordance with the delivery schedule specified in the Schedule of Requirements of the Philippine Bidding Documents (PBDs);
- b. to provide a performance security in the form, amounts, and within the times prescribed in the PBDs;
- c. to abide by the Bid Validity Period specified in the PBDs and it shall remain binding upon us at any time before the expiration of that period.

[Insert this paragraph if Foreign-Assisted Project with the Development Partner:

Commissions or gratuities, if any, paid or to be paid by us to agents relating to this Bid, and to contract execution if we are awarded the contract, are listed below:

Name and address of agent	Amount and Purpose of Commission or gratuity
---------------------------	----------------------------------------------

_____	_____
_____	_____
_____	_____

(if none, state "None")]

Until a formal Contract is prepared and executed, this Bid, together with your written acceptance thereof and your Notice of Award, shall be binding upon us.

We understand that you are not bound to accept the Lowest Calculated Bid or any Bid you may receive.

We certify/confirm that we comply with the eligibility requirements pursuant to the PBDs.

The undersigned is authorized to submit the bid on behalf of *[name of the bidder]* as evidenced by the attached *[state the written authority]*.

We acknowledge that failure to sign each and every page of this Bid Form, including the attached Schedule of Prices, shall be a ground for the rejection of our bid.

Name: _____

Legal capacity: _____

Signature: _____

Duly authorized to sign the Bid for and behalf of: _____

Date: _____

Price Schedule for Goods Offered from Abroad
[shall be submitted with the Bid if bidder is offering goods from Abroad]

For Goods Offered from Abroad

Name of Bidder _____ Project ID No. _____ Page ___ of ___

1	2	3	4	5	6	7	8	9
Item	Description	Country of origin	Quantity	Unit price CIF port of entry (specify port) or CIP named place (specify border point or place of destination)	Total CIF or CIP price per item (col. 4 x 5)	Unit Price Delivered Duty Unpaid (DDU)	Unit price Delivered Duty Paid (DDP)	Total Price delivered DDP (col 4 x 8)

Name: _____

Legal Capacity: _____

Signature: _____

Duly authorized to sign the Bid for and behalf of: _____

Price Schedule for Goods Offered from Within the Philippines
[shall be submitted with the Bid if bidder is offering goods from within the Philippines]

For Goods Offered from Within the Philippines

Name of Bidder _____ Project ID No. _____ Page ___ of ___

1	2	3	4	5	6	7	8	9	10
Item	Description	Country of origin	Quantity	Unit price EXW per item	Transportation and all other costs incidental to delivery, per item	Sales and other taxes payable if Contract is awarded, per item	Cost of Incidental Services, if applicable, per item	Total Price, per unit (col 5+6+7+8)	Total Price delivered Final Destination (col 9) x (col 4)

Name: _____

Legal Capacity: _____

Signature: _____

Duly authorized to sign the Bid for and behalf of: _____

Contract Agreement Form

THIS AGREEMENT made the ____ day of _____ 20____ between [name of PROCURING ENTITY] of the Philippines (hereinafter called “the Entity”) of the one part and [name of Supplier] of [city and country of Supplier] (hereinafter called “the Supplier”) of the other part;

WHEREAS, the Entity invited Bids for certain goods and ancillary services, particularly [brief description of goods and services] and has accepted a Bid by the Supplier for the supply of those goods and services in the sum of [*contract price in words and figures in specified currency*] (hereinafter called “the Contract Price”).

NOW THIS AGREEMENT WITNESSETH AS FOLLOWS:

1. In this Agreement words and expressions shall have the same meanings as are respectively assigned to them in the Conditions of Contract referred to.
2. The following documents as required by the 2016 revised Implementing Rules and Regulations of Republic Act No. 9184 shall be deemed to form and be read and construed as integral part of this Agreement, *viz.*:
 - i. Philippine Bidding Documents (PBDs);
 - i. Schedule of Requirements;
 - ii. Technical Specifications;
 - iii. General and Special Conditions of Contract; and
 - iv. Supplemental or Bid Bulletins, if any
 - ii. Winning bidder’s bid, including the Eligibility requirements, Technical and Financial Proposals, and all other documents or statements submitted;

Bid form, including all the documents/statements contained in the Bidder’s bidding envelopes, as annexes, and all other documents submitted (*e.g.*, Bidder’s response to request for clarifications on the bid), including corrections to the bid, if any, resulting from the Procuring Entity’s bid evaluation;
 - iii. Performance Security;
 - iv. Notice of Award of Contract; and the Bidder’s conforme thereto; and
 - v. Other contract documents that may be required by existing laws and/or the Procuring Entity concerned in the PBDs. **Winning bidder agrees that additional contract documents or information prescribed by the GPPB that are subsequently required for submission after the contract execution, such as the Notice to Proceed, Variation Orders, and Warranty Security, shall likewise form part of the Contract.**

3. In consideration for the sum of *[total contract price in words and figures]* or such other sums as may be ascertained, *[Named of the bidder]* agrees to *[state the object of the contract]* in accordance with his/her/its Bid.
4. The *[Name of the procuring entity]* agrees to pay the above-mentioned sum in accordance with the terms of the Bidding.

IN WITNESS whereof the parties hereto have caused this Agreement to be executed in accordance with the laws of the Republic of the Philippines on the day and year first above written.

[Insert Name and Signature]

[Insert Name and Signature]

[Insert Signatory's Legal Capacity]

[Insert Signatory's Legal Capacity]

for:

for:

[Insert Procuring Entity]

[Insert Name of Supplier]

Acknowledgment

[Format shall be based on the latest Rules on Notarial Practice]

**SUPPLY OF LABOR AND MATERIALS FOR THE DESIGN, FABRICATION,
DELIVERY AND ON-SITE INSTALLATION, TESTING AND COMMISSIONING
OF EQUIPMENT AND MACHINERIES FOR WHITE COPRA-COOKING OIL
PROCESSING CENTER
(PHilMech-Goods-23-07-12)**

<p style="text-align: center;">Lot no/s. being bid:</p> <hr style="width: 80%; margin: 10px auto;"/>	<p style="text-align: center;">Name and Signature of Authorized Representative:</p> <hr style="width: 80%; margin: 10px auto;"/>
-------------------------------------------------------------------------------------------------------------	-----------------------------------------------------------------------------------------------------------------------------------------

Omnibus Sworn Statement

REPUBLIC OF THE PHILIPPINES)
CITY/MUNICIPALITY OF _____) S.S.

AFFIDAVIT

I, [Name of Affiant], of legal age, [Civil Status], [Nationality], and residing at [Address of Affiant], after having been duly sworn in accordance with law, do hereby depose and state that:

1. *[Select one, delete the other:]*

[If a sole proprietorship:] I am the sole proprietor or authorized representative of [Name of Bidder] with office address at [address of Bidder];

[If a partnership, corporation, cooperative, or joint venture:] I am the duly authorized and designated representative of [Name of Bidder] with office address at [address of Bidder];

2. *[Select one, delete the other:]*

[If a sole proprietorship:] As the owner and sole proprietor, or authorized representative of [Name of Bidder], I have full power and authority to do, execute and perform any and all acts necessary to participate, submit the bid, and to sign and execute the ensuing contract for [Name of the Project] of the [Name of the Procuring Entity], as shown in the attached duly notarized Special Power of Attorney;

[If a partnership, corporation, cooperative, or joint venture:] I am granted full power and authority to do, execute and perform any and all acts necessary to participate, submit the bid, and to sign and execute the ensuing contract for [Name of the Project] of the [Name of the Procuring Entity], as shown in the attached [state title of attached document showing proof of authorization (e.g., duly notarized Secretary's Certificate, Board/Partnership Resolution, or Special Power of Attorney, whichever is applicable)];

3. [Name of Bidder] is not “blacklisted” or barred from bidding by the Government of the Philippines or any of its agencies, offices, corporations, or Local Government Units, foreign government/foreign or international financing institution whose blacklisting rules have been recognized by the Government Procurement Policy Board, **by itself or by relation, membership, association, affiliation, or controlling interest with another blacklisted person or entity as defined and provided for in the Uniform Guidelines on Blacklisting;**
4. Each of the documents submitted in satisfaction of the bidding requirements is an authentic copy of the original, complete, and all statements and information provided therein are true and correct;
5. [Name of Bidder] is authorizing the Head of the Procuring Entity or its duly authorized representative(s) to verify all the documents submitted;
6. *[Select one, delete the rest:]*

[If a sole proprietorship:] The owner or sole proprietor is not related to the Head of the Procuring Entity, members of the Bids and Awards Committee (BAC), the Technical Working Group, and the BAC Secretariat, the head of the Project Management Office or the end-user unit, and the project consultants by consanguinity or affinity up to the third civil degree;

[If a partnership or cooperative:] None of the officers and members of *[Name of Bidder]* is related to the Head of the Procuring Entity, members of the Bids and Awards Committee (BAC), the Technical Working Group, and the BAC Secretariat, the head of the Project Management Office or the end-user unit, and the project consultants by consanguinity or affinity up to the third civil degree;

[If a corporation or joint venture:] None of the officers, directors, and controlling stockholders of *[Name of Bidder]* is related to the Head of the Procuring Entity, members of the Bids and Awards Committee (BAC), the Technical Working Group, and the BAC Secretariat, the head of the Project Management Office or the end-user unit, and the project consultants by consanguinity or affinity up to the third civil degree;

7. *[Name of Bidder]* complies with existing labor laws and standards; and
8. *[Name of Bidder]* is aware of and has undertaken the responsibilities as a Bidder in compliance with the Philippine Bidding Documents, which includes:
 - a. Carefully examining all of the Bidding Documents;
 - b. Acknowledging all conditions, local or otherwise, affecting the implementation of the Contract;
 - c. Making an estimate of the facilities available and needed for the contract to be bid, if any; and
 - d. Inquiring or securing Supplemental/Bid Bulletin(s) issued for the *[Name of the Project]*; and
 - e. **Monitoring of electronic service of related notices at *[insert bidder’s email address]*. Bidder hereby acknowledges that service of notice to the email address indicated above shall be tantamount to actual service of such notice and shall be**

deemed received by the bidder on the date of service or email.

9. *[Name of Bidder]* did not give or pay directly or indirectly, any commission, amount, fee, or any form of consideration, pecuniary or otherwise, to any person or official, personnel or representative of the government in relation to any procurement project or activity.

10. In case advance payment was made or given, failure to perform or deliver any of the obligations and undertakings in the contract shall be sufficient grounds to constitute criminal liability for Swindling (Estafa) or the commission of fraud with unfaithfulness or abuse of confidence through misappropriating or converting any payment received by a person or entity under an obligation involving the duty to deliver certain goods or services, to the prejudice of the public and the government of the Philippines pursuant to Article 315 of Act No. 3815 s. 1930, as amended, or the Revised Penal Code.

IN WITNESS WHEREOF, I have hereunto set my hand this ___ day of ___, 20__ at _____, Philippines.

[Insert NAME OF BIDDER OR ITS AUTHORIZED REPRESENTATIVE]

[Insert signatory's legal capacity]

Affiant

[Jurat]

[Format shall be based on the latest Rules on Notarial Practice]

BID SECURING DECLARATION FORM

REPUBLIC OF THE PHILIPPINES)
CITY OF _____) S.S.

X-----X

BID SECURING DECLARATION

**SUPPLY OF LABOR AND MATERIALS FOR THE DESIGN, FABRICATION,
DELIVERY AND ON-SITE INSTALLATION, TESTING AND COMMISSIONING
OF EQUIPMENT AND MACHINERIES FOR WHITE COPRA-COOKING OIL
PROCESSING CENTER
(PHilMech-Goods-23-07-12)**

Lot no/s. being bid: _____	Name and Signature of Authorized Representative: _____
------------------------------------------	----------------------------------------------------------------------

To: *[Insert name and address of the Procuring Entity]*

I/We², the undersigned, declare that:

1. I/We understand that, according to your conditions, bids must be supported by a Bid Security, which may be in the form of a Bid-Securing Declaration.
2. I/We accept that: (a) I/we will be automatically disqualified from bidding for any contract with any procuring entity for a period of two (2) years upon receipt of your Blacklisting order; and, (b) I/we will pay the applicable fine provided under Section 6 of the Guidelines on the Use of Bid Securing Declaration, within fifteen (15) days from receipt of the written demand by the procuring entity for the commission of acts resulting to the enforcement of the bid securing declaration under Sections 23.1(b), 34.2, 40.1 and 69.1, except 69.1(f), of the IRR of RA 9184; without prejudice to other legal action the government may undertake.
3. I/We understand that this Bid Securing Declaration shall cease to be valid on the following circumstances:
 - (a) Upon expiration of the bid validity period, or any extension thereof pursuant to your request;

² Select one and delete the other. Adopt the same instruction for similar terms throughout the document.

- (b) I am/we are declared ineligible or post-disqualified upon receipt of your notice to such effect, and (i) I/we failed to timely file a request for reconsideration or (ii) I/we filed a waiver to avail of said right;
- (c) I am/we are declared the bidder with the Lowest Calculated Responsive Bid, and I/we have furnished the performance security and signed the Contract.

IN WITNESS WHEREOF, I/We have hereunto set my/our hand/s this ____ day of [month] [year] at [place of execution].

[Insert NAME OF BIDDER'S AUTHORIZED REPRESENTATIVE]
[Insert Signatory's Legal Capacity]
 Affiant

SUBSCRIBED AND SWORN to before me this ____ day of [month] [year] at [place of execution], Philippines. Affiant/s is/are personally known to me and was/were identified by me through competent evidence of identity as defined in the 2004 Rules on Notarial Practice (A.M. No. 02-8-13-SC). Affiant/s exhibited to me his/her [insert type of government identification card used], with his/her photograph and signature appearing thereon, with no. _____ and his/her Community Tax Certificate No. _____ issued on ____ at _____.

Witness my hand and seal this ____ day of [month] [year].

NAME OF NOTARY PUBLIC

Serial No. of Commission _____

Notary Public for _____ until _____

Roll of Attorneys No. _____

PTR No. _____ [date issued], [place issued]

IBP No. _____ [date issued], [place issued]

Doc. No. _____
 Page No. _____
 Book No. _____
 Series of _____

**SUPPLY OF LABOR AND MATERIALS FOR THE DESIGN, FABRICATION,
DELIVERY AND ON-SITE INSTALLATION, TESTING AND COMMISSIONING
OF EQUIPMENT AND MACHINERIES FOR WHITE COPRA-COOKING OIL
PROCESSING CENTER
(PHilMech-Goods-23-07-12)**

Lot no/s. being bid: <hr/>	Name and Signature of Authorized Representative: <hr/>
------------------------------------------	----------------------------------------------------------------------

**Statement of All Ongoing Government and Private Contracts, including contracts
awarded but not yet started, if any and delivered but not yet inspected and accepted**

Name of Client	Name of the Contract	Date and status of the Contract	Kinds of Goods	Amount of Contract	Value of Outstanding Contracts	Date of Delivery	Purchase Order Number/s or Date of Contract/s

CERTIFIED CORRECT:

Name & Signature of Authorized Representative

Position

Date

**SUPPLY OF LABOR AND MATERIALS FOR THE DESIGN, FABRICATION,
DELIVERY, AND ON-SITE INSTALLATION, TESTING AND COMMISSIONING
OF EQUIPMENT AND MACHINERIES FOR WHITE COPRA-COOKING OIL
PROCESSING CENTER
(PHilMech-Goods-23-07-12)**

Lot no/s. being bid: _____	Name and Signature of Authorized Representative: _____
------------------------------------------	----------------------------------------------------------------------

**Statement of Single Largest Completed Contract of Similar Nature within the Last Ten
(10) Years from date of Submission and Receipt of Bids**

Name of Client	Name of the Contract	Date of the Contract	Kinds of Goods	Amount of Contract	Date of Delivery	Official Receipt No. & Date, End User's Acceptance Date OR Collection Receipt

CERTIFIED CORRECT:

Name & Signature of Authorized Representative

Position

Date

**SUPPLY OF LABOR AND MATERIALS FOR THE DESIGN, FABRICATION,
DELIVERY, AND ON-SITE INSTALLATION, TESTING AND COMMISSIONING
OF EQUIPMENT AND MACHINERIES FOR WHITE COPRA-COOKING OIL
PROCESSING CENTER
(PHilMech-Goods-23-07-12)**

Lot no/s. being bid: _____	Name and Signature of Authorized Representative: _____
Total ABC (₱) of all the Lots being Bid:	PhP _____

**CERTIFICATE OF NET FINANCIAL CONTRACTING CAPACITY
(Please show figures at how you arrived at the NFCC)**

This is to certify that our Net Financial Contracting Capacity (NFCC) is **Philippine Peso** (₱ _____) which is at least equal to the ceiling price we are bidding. The amount is computed as follows:

CA	= Current Assets		₱
Less:			-
CL	= Current Liabilities		_____
		Sub Total 1	₱
			<u>X 15</u>
		Sub Total 2	₱
Less:			-
			₱
C	= value of all outstanding or uncompleted portions of the projects under on-going contracts, including awarded contracts yet to be started coinciding with the contract for this Project		_____
		NFCC	₱ <u>_____</u>

Issued this _____ day of _____, 2023.

Name & Signature of Authorized Representative

Position

Date

Notes:

1. The values of the bidder's current assets and current liabilities shall be based on the latest Audited Financial Statements submitted to the BIR.
2. The value of the outstanding or uncompleted contracts refers to those listed in the Statement of All Ongoing Government and Private Contracts, Including contracts awarded but not yet started.
3. The detailed computation must be shown using the required formula provided above.
4. The NFCC must be at least be equal to the ABC of the Project

(Name of Bank)

COMMITTED LINE OF CREDIT

Date: _____

PHILIPPINE CENTER FOR POSTHARVEST DEVELOPMENT AND MECHANIZATION

CLSU Compound, Science City of Muñoz
Nueva Ecija

CONTRACT/PROJECT	:	_____
LOT NO.	:	_____
COMPANY/FIRM	:	_____
ADDRESS	:	_____
BANK/FINANCING INSTITUTION	:	_____
ADDRESS	:	_____
AMOUNT	:	_____

This is to certify that the above Bank/Financing Institution with business address indicated above, has granted the (Supplier/Distributor/Manufacturer/Contractor), a credit line in the amount specified above which shall be used to finance the performance of the above-mentioned contract.

The credit shall be available from (date of bid submission) and such line of credit shall be maintained until issuance of Certificate of Acceptance of the goods/services subject of the Contract/project by PHilMech Representatives.

This Certification is being issued in favor of said (Supplier/ Distributor /Manufacturer/ Contractor) in connection with the bidding requirement of the Philippine Center for Postharvest Development and Mechanization (PHilMech) for the above-mentioned Contract/Project. We are aware that any false statement issued by us will make us liable for perjury.

This committed line of credit cannot be terminated or cancelled without the prior written approval of Philippine Center for Postharvest Development and Mechanization (PHilMech).

Name and Signature of Authorized Financing Institution Office

Official Designation

Concurred by:

Name & Signature of (Supplier/Distributor/Manufacture/Contractor) Authorized Representative

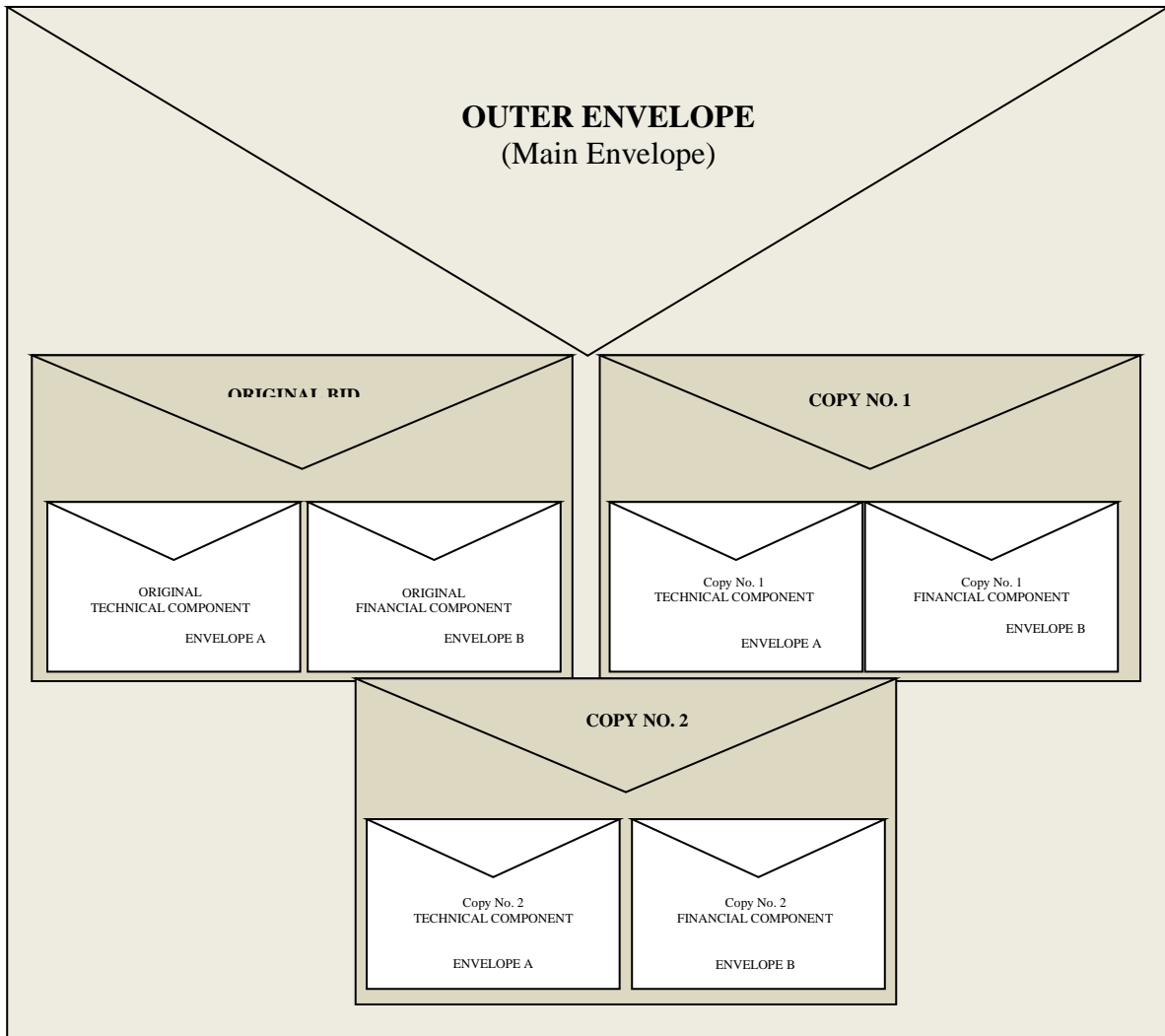
Official Designation

SUBSCRIBED AND SWORN TO BEFORE ME this _____ day of _____ at _____, Philippines. Affiant exhibited to me his/her competent Evidence of Identity (as defined by the 2004 Rules on Notarial Practice _____ issued _____ at _____, Philippines.

NOTARY PUBLIC

Doc. No.	:	_____
Page No.	:	_____
Book No.	:	_____
Series of	:	_____

PREPARATION OF BID ENVELOPE



All envelopes shall be marked in accordance with Section 15 of the Instruction to Bidders (ITB) of this Bidding Documents.

