



BIDS AND AWARDS COMMITTEE

SUPPLEMENTAL BID BULLETIN NO. 1

**SUPPLY, DELIVERY, INSTALLATION AND TESTING OF VARIOUS SINGLE PASS RICE MILLS
 (PHilMech-RCEF-23-06-15)**

This **Supplemental/Bid Bulletin No. 1** is being issued to clarify, amend and supplement provisions in the Bidding Documents.

A. ISSUES AND CONCERNS DURING THE PRE-BID CONFERENCE

1. <i>Issue / Proposal: Inquiry if they could declare any Single Largest Completed Contract.</i>	
<i>Action Taken/Reply: The SLCC shall refer to any contract for the Supply and Delivery of Agricultural Machine/s</i>	
2. <i>Issue / Proposal: Manifestation that the 30 cu. meter rice hull bin capacity is vulnerable to typhoon. Based on the capacity of single pass rice mill the ideal is 15-17 cu.m.</i>	
<i>Action Taken/Reply: Technical specification is retained</i>	
3. <i>Issue / Proposal: Inquiry if PHilMech has specific dimension for the rice hull bin because the 30 cu. meter capacity when converted would reach to 5 meters which is too high.</i>	
<i>Action Taken/Reply: Recommended bin dimension is hereby attached as Annex A.</i>	
4. <i>Issue / Proposal: Manifestation that the 30 cu. meter dimension of the rice hull bin might be too much since as observed in the previously delivered rice mills, the piping going outside is only halfway of the bagging. Inquiry if the manufacturer could decide on the tubing requirement.</i>	
<i>Action Taken/Reply: Manufacturer's standard specification is acceptable.</i>	
5. <i>Issue / Proposal: Request that the AMTEC test report be required after delivery, installation and testing or a condition for payment since the AMTEC test report of the single pass rice mill should be now be coupled with the engine that is not a requirement last bidding project.</i>	
<i>Action Taken/Reply: Request/Proposal is partially granted. The valid AMTEC Test Report should be submitted before delivery</i>	
	FROM
TO	
Technical Specification	1. Valid AMTEC Test Report of the Stationary Single-Pass Rice Mill coupled with the engine being offered and the result should conform to
	1. Valid AMTEC Test Report of the Stationary Single-Pass Rice Mill coupled with the engine being offered and the result should conform to

Main Office: CLSU, Science City of Muñoz, Nueva Ecija, Philippines
 Mobile Nos.: (+63) 917-800-4526/ (+63) 917-813-0852

Liaison Office: 3rd Floor, ATI Bldg., Elliptical Road, Diliman, Quezon City

PHilMech-AD-F-192 Rev 01 (07.20.23)



	PNS/BAFS PABES 303:2020 - AMTEC test of the rice mill with or without de-stoner is acceptable	PNS/BAFS PABES 303:2020 <u>as a requirement before delivery.</u> - AMTEC test of the rice mill with or without de-stoner is acceptable
6. Issue / Proposal: Request that the AMTEC test report requirement not be coupled with the engine. Action Taken/Reply: Technical requirement is retained.		
7. Issue / Proposal: Request that the AMTEC test report of the engine being offered be included in the requirement Action Taken/Reply: The AMTEC test report of the engine being offered is not a requirement.		
8. Issue / Proposal: Request for clarification on the requirement for a mounting frame. Based on what they observed, the unit is already installed, surrounded by 2x2 steel then cemented. Action Taken/Reply: The mounting frame was required for safety purposes in case of earthquake.		
9. Issue / Proposal: Request on providing tolerance for the requirement for Rice hull bin's angle bar frame for steel trusses, main frame and members: 50mm x 50mm x 6mm, minimum because the material available in the local hardware have slightly difference in thickness; in Davao, they could not acquire a steel with the exact measurement. Action Taken/Reply: Technical specification is retained. The supplier may opt for higher specifications.		
10. Issue / Proposal: Inquiry if the signage and name plate would be checked during post qualification evaluation. Action Taken/Reply: The standard tools would be inspected during post qualification evaluation, but the signage and marker would only be checked during delivery inspection and acceptance.		
11. Issue / Proposal: Request on requiring ordinary paint color instead of powder coated. Action Taken/Reply: Technical specification is amended.		
	FROM	TO
Technical Specification	Piping connections from the huller to the rice hull bin • Material: Made of stainless steel or primer painted and powdered coated B.I sheet or G.I sheet 1.5mm thickness, minimum 	Piping connections from the huller to the rice hull bin • Material: Made of stainless/ G.I. steel or powder coated B.I sheet, 1.5mm thickness, minimum

Main Office: CLSU, Science City of Muñoz, Nueva Ecija, Philippines
 Mobile Nos.: (+63) 917-800-4526/ (+63) 917-813-0852

Liaison Office: 3rd Floor, ATI Bldg., Elliptical Road, Diliman, Quezon City



12. Issue / Proposal: Inquiry on the minimum required height from the ground up to the lowest point of the rice hull bin		
Action Taken/Reply: Please see attached Annex A.		
13. Issue / Proposal: Request that the RPM measuring range of tachometer be 0.6 instead of 0.5.		
Action Taken/Reply: Technical specification is retained.		
14. Issue / Proposal: Request that the required number of years in the market be reduced to 15 years, since based on history, only 1 brand will qualify with the required specifications.		
Action Taken/Reply: Technical requirement is retained.		
15. Issue / Proposal: Request that the requirement for the brand's market presence pertain to the rice mill and not the engine.		
Action Taken/Reply: Technical requirement is retained.		
16. Issue / Proposal: Manifestation that there are only three manufacturers of engines. Inquiry as to how many engines were needed to prove its quality.		
Action Taken/Reply: Not included in the technical specifications		
17. Issue / Proposal: Request to require a "Valid Certificate of Dealership/Distributorship/ Authority to sell, and Commitment to Supply directly or indirectly issued by the manufacturer or distributor to the bidder" for the engine.		
Action Taken/Reply: Technical requirement is retained.		
18. Issue / Proposal: Request for the extension of the delivery period to 150 calendar days instead of 90 calendar days.		
Action Taken/Reply: Request/proposal is partially granted. Delivery period is amended to 120 calendar days.		
	FROM	TO
Invitation to Bid	2. The PHilMech now invites bids from eligible bidders for the SUPPLY, DELIVERY, INSTALLATION AND TESTING OF VARIOUS SINGLE PASS RICE MILLS. Delivery of the GOODS is required within Ninety (90) calendar days from receipt of the Notice to Proceed. Bidders should have completed within ten (10) years from the date of submission and receipt of bids a contract similar to the project. For this purpose, a similar contract shall refer to any contract for the Supply and Delivery of	2. The PHilMech now invites bids from eligible bidders for the SUPPLY, DELIVERY, INSTALLATION AND TESTING OF VARIOUS SINGLE PASS RICE MILLS. Delivery of the GOODS is required within One Hundred Twenty (120) calendar days from receipt of the Notice to Proceed. Bidders should have completed within ten (10) years from the date of submission and receipt of bids a contract similar to the project. For this purpose, a similar contract shall refer to any contract for

Main Office: CLSU, Science City of Muñoz, Nueva Ecija, Philippines
 Mobile Nos.: (+63) 917-800-4526/ (+63) 917-813-0852

Liaison Office: 3rd Floor, ATI Bldg., Elliptical Road, Diliman, Quezon City

PHilMech-AD-F-192 Rev 01 (07.20.23)



Schedule of Requirements	Agricultural Machine/s		the Supply and Delivery of Agricultural Machine/s	
	Item Number (LOT No.)	Delivered, Weeks/Months	Item Number (LOT No.)	Delivered, Weeks/Months
	1	90CD	1	<u>120CD</u>
	2	90CD	2	<u>120CD</u>
	3	90CD	3	<u>120CD</u>
	4	90CD	4	<u>120CD</u>
	5	90CD	5	<u>120CD</u>
	6	90CD	6	<u>120CD</u>
	7	90CD	7	<u>120CD</u>
	8	90CD	8	<u>120CD</u>
	9	90CD	9	<u>120CD</u>
	10	90CD	10	<u>120CD</u>
	11	90CD	11	<u>120CD</u>
	12	90CD	12	<u>120CD</u>
	13	90CD	13	<u>120CD</u>
	14	90CD	14	<u>120CD</u>
	15	90CD	15	<u>120CD</u>
	16	90CD	16	<u>120CD</u>
	17	90CD	17	<u>120CD</u>
	18	90CD	18	<u>120CD</u>
	19	90CD	19	<u>120CD</u>
	20	90CD	20	<u>120CD</u>
<p>19. Issue / Proposal: Inquiry if they are allowed to deliver on weekends. Action Taken/Reply: Yes, as long as the delivery is properly coordinated with the office, however, the delivery should be conducted during the day and not late at night.</p>				
<p>20. Issue / Proposal: Inquiry if they still need a PHilMech representative during delivery if the testing would be conducted on another day. Action Taken/Reply: A suppliers' orientation would be conducted after the award of the contract wherein the delivery, testing, inspection and other project implementation procedures would be discussed. The unit could be delivered onsite with or without any PHilMech representative provided that the delivery is properly coordinated with the office while the testing will be per schedule basis.</p>				
<p>21. Issue / Proposal: Request on the acceptability of other terms equivalent to "very satisfactory performance" such as "very good" for the requirement "Certification of Very Satisfactory Performance of the Rice Mill being offered as to"</p>				

Main Office: CLSU, Science City of Muñoz, Nueva Ecija, Philippines
 Mobile Nos.: (+63) 917-800-4526/ (+63) 917-813-0852

Liaison Office: 3rd Floor, ATI Bldg., Elliptical Road, Diliman, Quezon City

PHilMech-AD-F-192 Rev 01 (07.20.23)



Action Taken/Reply: Technical requirement is amended.		
	From	To
Technical Specification	<p>10. Certification of Very Satisfactory Performance of the Rice Mill being offered as to: i) Machinery Performance; ii) Machinery Durability; and iii) Availability of Parts and Service issued by any government or private Agency/Company, excluding PHilMech, duly signed by the Current Head of Agency/Company within the last one (1) year. For individual customers/clients, certification from at least 3 clients is required with full address and telephone numbers.</p>	<p>10. Certification of Very Satisfactory / Very Good Performance of the Rice Mill being offered as to: i) Machinery Performance; ii) Machinery Durability; and iii) Availability of Parts and Service.</p> <p>Who may issue:</p> <ol style="list-style-type: none"> At least three (3) individual customers/clients, with full address and telephone numbers. Any government or private Agency/Company, duly signed by the Current Head of Agency/Company within the last one (1) year. <p>Excluding the following:</p> <ol style="list-style-type: none"> PHilMech Bidder's dealers and authorized service centers
<p>22. Issue / Proposal: Request that the requirement for "Certification of Very Satisfactory Performance of the Rice Mill being offered as to" should pertain to any rice mill and not exactly to the rice mill being offered.</p> <p>Action Taken/Reply: Please refer to the amendment above.</p>		
<p>23. Issue / Proposal: Inquiry if both of the Joint Venture Partners should submit the NAMDAC and Permit To Operate.</p> <p>Action Taken/Reply: Either of the Joint Venture Partners should submit the technical requirements.</p>		

B. WRITTEN QUERIES/ COMMENTS/REQUEST

<p>1. Issue / Proposal: (Letter dated August 10, 2023)</p> <p>Request that the AMTEC report of the engine be required during submission of bids as part of the technical proposal.</p> <p>The importance of ensuring that the prime mover/engine meets the specified Specific fuel consumption of 350 g/kw- h, maximum at 80% of rated power criteria, I would like to draw your attention to the fact that the</p>

Main Office: CLSU, Science City of Muñoz, Nueva Ecija, Philippines
 Mobile Nos.: (+63) 917-800-4526/ (+63) 917-813-0852

Liaison Office: 3rd Floor, ATI Bldg., Elliptical Road, Diliman, Quezon City

PHilMech-AD-F-192 Rev 01 (07.20.23)



requirement for the AMTEC test report of the engine is not mentioned as a prerequisite during the opening of bids for this project. As a result, it raises concerns about how this requirement can be effectively verified during the Technical evaluation stage of the bidding process.

Considering the significance of this specification, I kindly request that you consider revising the requirement to include a mechanism for verifying the specific fuel consumption of the prime mover/engine during the evaluation phase. This will enable a more transparent and objective evaluation of the bids, ensuring that the bidder/supplier meets the specified criteria.

Answer/Action Taken/Reply: AMTEC test report should be submitted before delivery. Please refer to the amendment above.

2. Issue / Proposal: (Letter dated August 10, 2023)

I understand the importance of verifying the quality and performance of both the rice mill machine and the prime mover/ engine, I would like to suggest the inclusion of separate AMTEC Test Reports for both components. Presently, the requirement only specifies the AMTEC Test Report for the Rice Mill machine coupled with the offered Engine, but does not include a separate AMTEC Test Report for the prime mover/engine. The prime mover specifically an engine plays a crucial role in the operation of Rice Mill to perform a wide range of tasks efficiently and reliability.

To ensure a comprehensive evaluation, I respectfully request that you consider revising the requirement to include separate AMTEC Test Reports for both the Rice Mill and the Prime mover/ Engine. This will allow for a more thorough assessment of the performance and compliance of each component with the specified standards outlined in PNS/ BAPS PABES No. 303-2020,304-2020 and PAES/PNS No. 116-2001, 117-2000.

By including this revision, you will ensure that each component is evaluated individually and meets the required standards, providing a more accurate representation of the capabilities and performance of the proposed Rice Mill

Answer/Action Taken/Reply: Technical requirement is retained.

3. Issue / Proposal: (Letter dated August 10, 2023)

While I acknowledge the importance of ensuring the availability of after-sales services and spare parts, I would like to propose the inclusion of separate certificates for both the rice mill machine and the prime mover/engine. This revision will provide the procuring entity with the necessary assurance that the bidder can supply the required machine and prime mover, as well as the availability of spare parts, which is crucial for the provision of after-sales

Answer/Action Taken/Reply: Technical requirement is retained.

4. Issue / Proposal: (Letter dated August 10, 2023)

Request for the inclusion of the requirement for a valid certificate of conformity (CC) of the offered Engine from

Main Office: CLSU, Science City of Muñoz, Nueva Ecija, Philippines
Mobile Nos.: (+63) 917-800-4526/ (+63) 917-813-0852

Liaison Office: 3rd Floor, ATI Bldg., Elliptical Road, Diliman, Quezon City

PHilMech-AD-F-192 Rev 01 (07.20.23)



DA-BAFE (Bidder is in the list of the primary holders/dealers/distributors/retailer of the engine).

The holder of the certificate is authorized to use this certificate in connection with the DC No.5, Series of 2017 as amended by DC No. 10, Series of 2018 and DC No. 19, Series of 2018 otherwise known as "National Guidelines on the issuance of Certificate of Conformity for Agricultural and Fisheries Machinery"

Article VI: Final Provisions Section 14. Prohibited Acts

"No person shall engage in procuring or selling of agricultural and fisheries machinery unless duly certified by BAFE and issued with CC. Further, it is unlawful for any person to Manufacture, Distribute, Fabricate, Assemble, Import, Export, Supply, Deal of any agricultural and fisheries machinery covered by CC.

Answer/Action Taken/Reply: **Requirement for certificate of conformity (CC) is included in the requirements.**

	From	To
Technical Specification		With other technical requirement <u>11. Valid certificate of conformity (CC) from DA-BAFE or certification from BAFE of their application for CC</u>

5. Issue / Proposal: (Letter dated August 11, 2023)

Our Company is the exclusive distributor of KUVICO WATER-COOLED DIESEL ENGINE from Vietnam in the Philippine market by SVEAM Co. LTD. Our 25 HP MODEL KV2600 has been used by your farmer beneficiaries during your early procurement in 2019, 11 units in Mindanao and 21 units in Visayas.

Until now the engine has been operational and functioning with no breakdown.

Aside from Philmech we also distributed an average of 2,000 units per year from 2010 to 2019 to the Department of Agriculture nationwide, with applications on water pumps, flatbed dryers, hand tractors and post-harvest equipment like thresher, corn shellers and rice mills.

As always we maintain parts for every model since we were appointed exclusive distributor in 2005.

For After sales service, we have branches in Davao City and Bacolod City with employed factory trained mechanics.

In addition we also maintain dealers nationwide.

With regards to your requirement for 35 years market presence we believe only one brand can participate the YANMAR ENGINE from Indonesia since the KUBOTA BRAND from Thailand stops production of the 19 and 20 HP models 15 years ago.

In the interest of wider competition for the benefit of Philmech and your farmer cooperatives/associations, may we request to reduce this 35 years to 15 years.

Rest assured, we can supply your requirements and provide the required after sales support and parts back up

Main Office: CLSU, Science City of Muñoz, Nueva Ecija, Philippines
 Mobile Nos.: (+63) 917-800-4526/ (+63) 917-813-0852

Liaison Office: 3rd Floor, ATI Bldg., Elliptical Road, Diliman, Quezon City

PHilMech-AD-F-192 Rev 01 (07.20.23)



for the next five years.

Answer/Action Taken/Reply: **Technical requirement is retained.**

C. OTHER AMENDMENTS

	<i>From</i>		<i>To</i>	
Invitation to Bid	LOT NO.	ABC	LOT NO.	ABC
	15	9,600,00.00	15	9,600,000.00

Issued this ___ day of August 2023 in the Science City of Muñoz, Nueva Ecija, Philippines.

Reviewed and approved by:

NELSON C. SANTIAGO, Ph.D.
Chairperson, Bids and Awards Committee

ARLENE C. JOAQUIN
Vice Chairperson

JERRY F. AVELLANOZA
Regular Member

DONALD V. MATEO
Technical Member

ENGR. NESTOR T. ASUNCION
End-User/Provisional Member

CONFORMED: _____
Bidders Name: _____
Date Received: _____

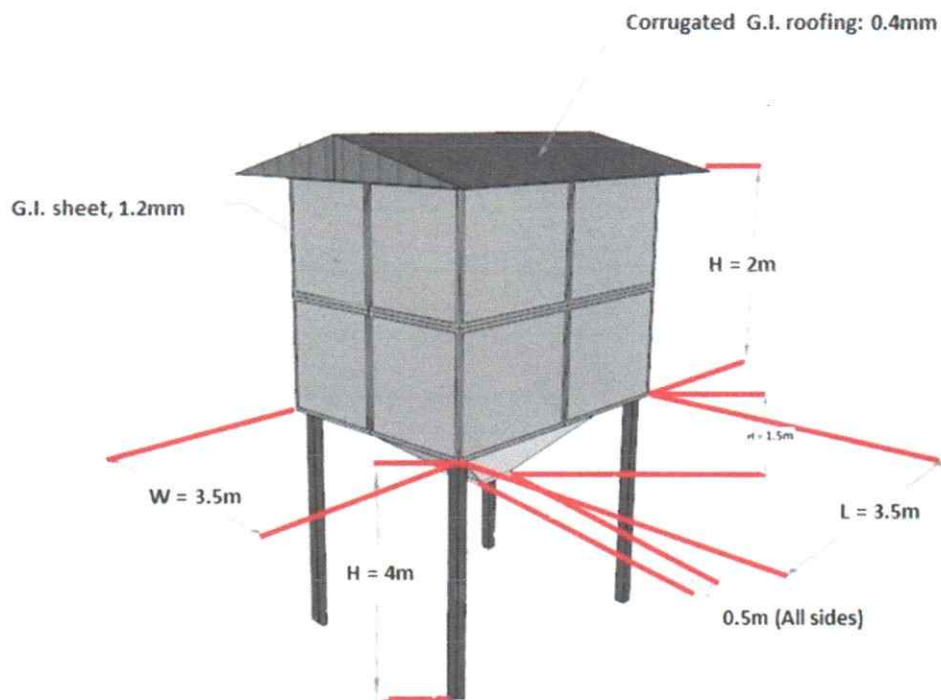
Main Office: CLSU, Science City of Muñoz, Nueva Ecija, Philippines
Mobile Nos.: (+63) 917-800-4526/ (+63) 917-813-0852

Liaison Office: 3rd Floor, ATI Bldg., Elliptical Road, Diliman, Quezon City

PHilMech-AD-F-192 Rev 01 (07.20.23)

ANNEX A. RECOMMENDED BIN DIMENSION

RICE HULL BIN



*Reference only

Main Office: CLSU, Science City of Muñoz, Nueva Ecija, Philippines
Mobile Nos.: (+63) 917-800-4526/ (+63) 917-813-0852

Liaison Office: 3rd Floor, ATI Bldg., Elliptical Road, Diliman, Quezon City

PHilMech-AD-F-192 Rev 01 (07.20.23)